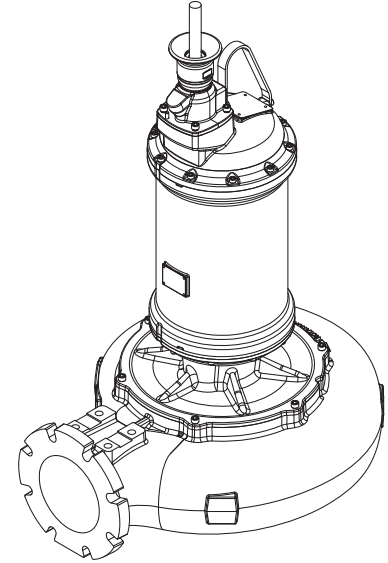


### Solids Handling Submersible Pumps

## Specifications:

<b>DISCHARGE</b> .....	8", 125 lb. Horizontal Flange Slotted to accommodate 200mm ISO Flanges
<b>LIQUID TEMPERATURE</b> .....	104°F (40°C) Continuous
<b>VOLUTE</b> .....	Cast Iron ASTM A-48, Class 30
<b>MOTOR HOUSING</b> .....	Cast Iron ASTM A-48, Class 30
<b>SEAL PLATE</b> .....	Ductile Iron ASTM A-536, 65-45-12
<b>IMPELLER:</b>	
<i>Design</i> .....	Vortex, With Pump Out Vaness on Back Side. Dynamically Balanced ISO G6.3
<i>Material</i> .....	Ductile Iron ASTM A-536, 65-45-12
<b>SHAFT</b> .....	416 Stainless Steel
<b>"O" RINGS</b> .....	Buna-N
<b>HARDWARE</b> .....	300 Series Stainless Steel
<b>LIFTING BAIL</b> .....	300 Series Stainless Steel
<b>PAINT</b> .....	Axalta™ Corlar® Epoxy, Two Coats
<b>SEAL:</b>	
<i>Design</i> .....	Tandem Mechanical, Oil Filled Reservoir.
<i>Material: Inboard</i> .....	Rotating Faces - Carbon Stationary Faces - Ceramic
<i>Material: Outboard</i> .....	Rotating Faces - Silicon Carbide Stationary Faces - Silicon Carbide Elastomer - Buna-N Hardware - 300 Series Stainless
<b>CORD ENTRY</b> .....	50 ft. (12.1m) Cord. Rigid quick change epoxy-potted housing
<b>POWER CORD</b> .....	CSA Certified Submersible Power Cable 2000V - Ordered Separately
<b>SPEED</b> .....	1150 or 870 RPM
<b>UPPER BEARING:</b>	
<i>Design</i> .....	Single Row, Ball, Oil Lubricated
<i>Load</i> .....	Radial
<b>LOWER BEARING:</b>	
<i>Design</i> .....	Double Row, Ball, Oil Lubricated
<i>Load</i> .....	Radial & Thrust
<b>MOTOR:</b>	
<i>Design</i> .....	NEMA B Three Phase Torque Curve. Oil-Filled, Squirrel Cage Induction, Inverter Duty rated per NEMA MG1
<i>Insulation</i> .....	Class H Varnish & Magnet Wire
<b>THREE PHASE</b> .....	Requires overload protection to be included in control panel.
<b>MOISTURE SENSOR</b> .....	Normally Open (N/O), Requires Relay in Control Panel
<b>TEMPERATURE SENSOR</b> .....	Three Normally Closed (N/C). To be wired in series with control circuit.
<b>OPTIONAL EQUIPMENT</b> .....	White Iron Impeller, Seal Material, Impeller Trims, Cord Length
<b>MARKINGS</b> .....	CSA
<b>WEIGHT</b> .....	1155 lbs (524 Kg)
<b>SUBMERGENCE</b> .....	Max Depth 66ft (20m)
<b>RECOMMENDED:</b>	
<i>Accessories</i> .....	Break Away Fitting (BAF) Check Valve Control Panel Leg Kit



## Series: 8SHVV 25 - 30HP, 870RPM, 60Hz

Sample Specifications: Section 0.1G Page F.

This product may be covered by one or more of the following patents and other patent(s) pending: US Patent 8,128,360

### DESCRIPTION:

SUBMERSIBLE NON-CLOG PUMP  
DESIGNED FOR RAW SEWAGE  
APPLICATIONS.



**WARNING:**  
CANCER AND REPRODUCTIVE HARM -  
WWW.P65WARNINGS.CA.GOV



# Series 8SHVV

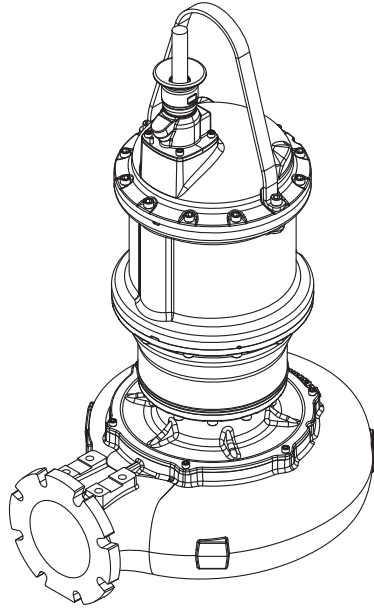
32 Frame Driver

4" Spherical Solids Handling

# BARNES®

www.cranepumps.com

## Solids Handling Submersible Pumps



### Series: 8SHVV

**60 - 100HP, 1150RPM, 60Hz**

**40 - 50HP, 870RPM, 60Hz**

Sample Specifications: Section 0.1G Page F.

This product may be covered by one or more of the following patents and other patent(s) pending: US Patent 8,128,360

### DESCRIPTION:

SUBMERSIBLE NON-CLOG PUMP  
DESIGNED FOR RAW SEWAGE  
APPLICATIONS.



#### WARNING:

CANCER AND REPRODUCTIVE HARM -  
WWW.P65WARNINGS.CA.GOV

## Specifications:

<b>DISCHARGE</b> .....	8", 125 lb. Horizontal Flange Slotted to accommodate 200mm ISO Flanges
<b>LIQUID TEMPERATURE</b> .....	104°F (40°C) Continuous
<b>VOLUTE</b> .....	Cast Iron ASTM A-48, Class 30
<b>MOTOR HOUSING</b> .....	Cast Iron ASTM A-48, Class 30
<b>SEAL PLATE</b> .....	Cast Iron ASTM A-48, Class 30
<b>IMPELLER:</b>	
<i>Design</i> .....	Vortex, With Pump Out Vaness on Back Side. Dynamically Balanced ISO G6.3
<i>Material</i> .....	Ductile Iron ASTM A-536, 65-45-12
<b>SHAFT</b> .....	416 Stainless Steel
<b>"O" RINGS</b> .....	Buna-N
<b>HARDWARE</b> .....	300 Series Stainless Steel
<b>LIFTING BAIL</b> .....	300 Series Stainless Steel
<b>PAINT</b> .....	Axalta™ Corlar® Epoxy, Two Coats
<b>SEAL:</b>	
<i>Design</i> .....	Tandem Mechanical, Oil Filled Reservoir.
<i>Material: Inboard</i> .....	Rotating Faces - Carbon Stationary Faces - Ceramic
<i>Material: Outboard</i> ...	Rotating Faces - Silicon Carbide Stationary Faces - Silicon Carbide Elastomer - Buna-N Hardware - 300 Series Stainless
<b>CORD ENTRY</b> .....	50 ft. (12.1m) Cord. Rigid quick change epoxy-potted housing
<b>POWER CORD</b> .....	CSA Certified Submersible Power Cable 2000V - Ordered Separately
<b>SPEED</b> .....	1150 or 870 RPM
<b>UPPER BEARING:</b>	
<i>Design</i> .....	Single Row, Ball, Oil Lubricated
<i>Load</i> .....	Radial
<b>LOWER BEARING:</b>	
<i>Design</i> .....	Double Row, Ball, Oil Lubricated
<i>Load</i> .....	Radial & Thrust
<b>MOTOR:</b>	
<i>Design</i> .....	NEMA B Three Phase Torque Curve. Oil-Filled, Squirrel Cage Induction, Inverter Duty rated per NEMA MG1
<i>Insulation</i> .....	Class H Varnish & Magnet Wire
<b>THREE PHASE</b> .....	Requires overload protection to be included in control panel.
<b>MOISTURE SENSOR</b> .....	Normally Open (N/O), Requires Relay in Control Panel
<b>TEMPERATURE SENSOR</b> ....	Three Normally Closed (N/C). To be wired in series with control circuit.
<b>OPTIONAL EQUIPMENT</b> .....	White Iron Impeller, Seal Material, Impeller Trims, Cord Length
<b>MARKINGS</b> .....	CSA
<b>WEIGHT</b> .....	1769 lbs (802 Kg)
<b>SUBMERGENCE</b> .....	Max Depth 66ft (20m)
<b>RECOMMENDED:</b>	
<i>Accessories</i> .....	Break Away Fitting (BAF) Check Valve Control Panel Leg Kit



SECTION 0.1G  
PAGE 2  
DATE 6/19

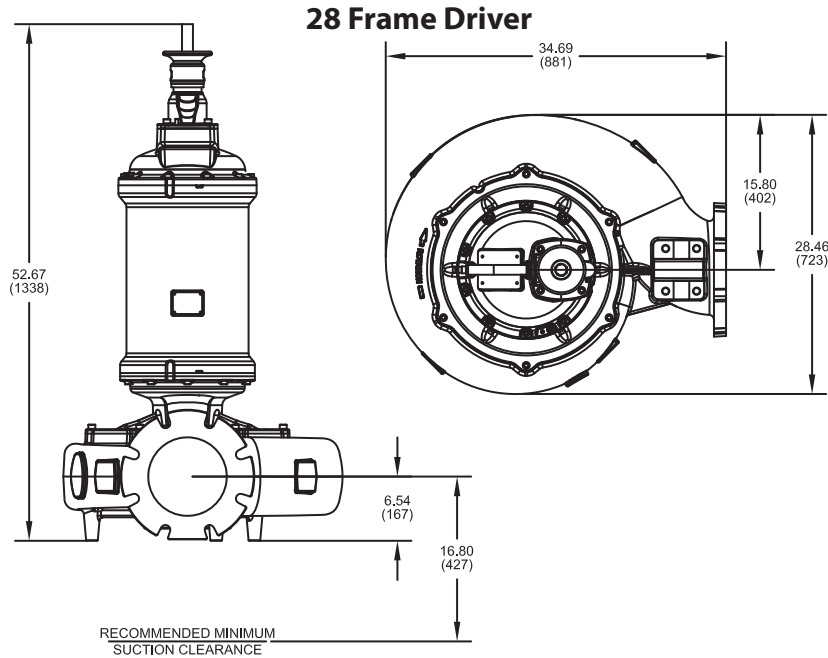


A Crane Co. Company

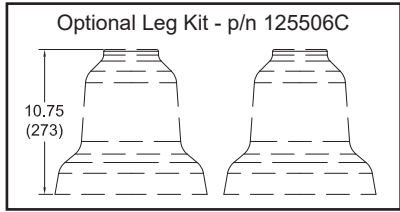
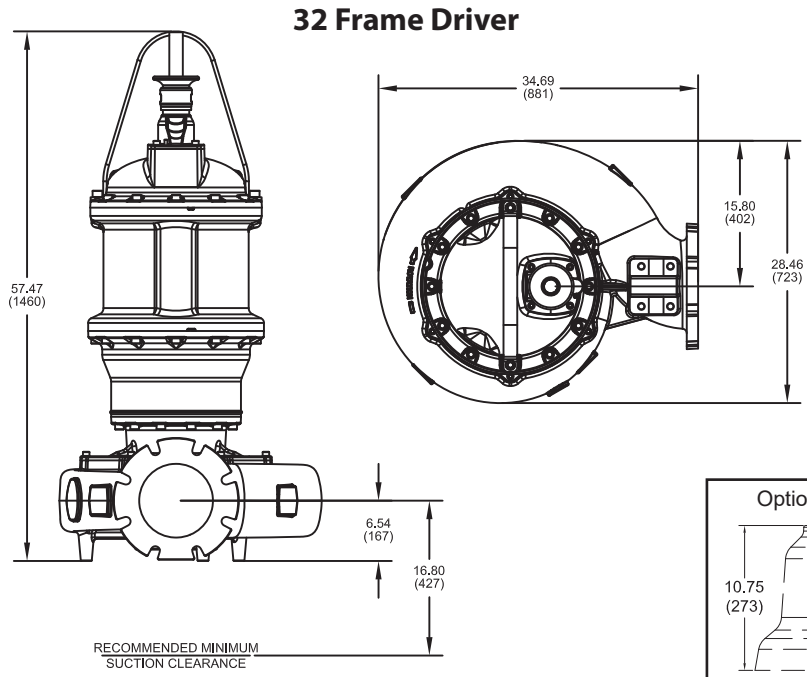
## PUMPS & SYSTEMS

USA: (937) 778-8947 • Canada: (905) 457-6223 • International: (937) 615-3598

### Solids Handling Submersible Pumps



inches  
(mm)



#### IMPORTANT !

- 1.) MOISTURE AND TEMPERATURE SENSORS MUST BE CONNECTED TO VALIDATE THE CSA LISTING.
- 2.) A SPECIAL MOISTURE SENSOR RELAY IS REQUIRED IN THE CONTROL PANEL FOR PROPER OPERATION OF THE MOISTURE SENSORS. CONTACT BARNES PUMPS FOR INFORMATION CONCERNING MOISTURE SENSING RELAYS FOR CUSTOMER SUPPLIED CONTROL PANELS.
- 3.) THESE PUMPS ARE CSA LISTED FOR PUMPING WATER AND WASTEWATER. **DO NOT USE TO PUMP FLAMMABLE LIQUIDS.**
- 4.) INSTALLATIONS SUCH AS DECORATIVE FOUNTAINS OR WATER FEATURES PROVIDED FOR VISUAL ENJOYMENT MUST BE INSTALLED IN ACCORDANCE WITH THE NATIONAL ELECTRIC CODE ANSI/NFPA 70 AND/OR THE AUTHORITY HAVING JURISDICTION. THIS PUMP IS NOT INTENDED FOR USE IN SWIMMING POOLS, RECREATIONAL WATER PARKS, OR INSTALLATIONS IN WHICH HUMAN CONTACT WITH PUMPED MEDIA IS A COMMON OCCURRENCE.
- 5.) THIS PUMP IS NOT APPROPRIATE FOR THOSE APPLICATIONS SPECIFIED AS CLASS 1 DIVISION 1 HAZARDOUS LOCATIONS.

# Series 8SHVV

4" Spherical Solids Handling



www.cranepumps.com

## Solids Handling Submersible Pumps

MODEL NO	HP	VOLT PH Hz	RPM (Nom)	NEMA START CODE	FULL LOAD AMPS	SERVICE FACTOR	SERVICE FACTOR AMPS	LOCKED ROTOR AMPS	DRIVER FRAME	CORD P/N ▲	CORD SIZE
8SHVV60046*	60.0	460 3 60	1150	F	86.7	1.15	96.8	400.0	32	138319	2/4 - 18/4
8SHVV60056*	60.0	575 3 60	1150	F	69.4	1.15	77.4	320.0	32	138318	6/4 - 18/4
8SHVV75046*	75.0	460 3 60	1150	H	109.3	1.15	119.5	612.0	32	138319	2/4 - 18/4
8SHVV75056*	75.0	575 3 60	1150	H	87.4	1.15	95.6	489.6	32	138319	2/4 - 18/4
8SHVV100046	100.0	460 3 60	1150	E	135.0	1.0	135.0	612.0	32	138319	2/4 - 18/4
8SHVV100056	100.0	575 3 60	1150	E	108.0	1.0	108.0	489.6	32	138319	2/4 - 18/4
<b>SHVV Pump</b>											
8SHVV25098*	25.0	208 3 60	870	H	82.3	1.2	98.8	400.0	28	138319	2/4 - 18/4
		230			84.0		94.5				
8SHVV25048*	25.0	460 3 60	870	H	42.0	1.2	47.2	200.0	28	138317	8/4 - 18/4
8SHVV25058*	25.0	575 3 60	870	H	33.6	1.2	37.8	160.0	28	138317	8/4 - 18/4
8SHVV30098*	30.0	208 3 60	870	F	98.8	1.2	124.1	400.0	28	138319	2/4 - 18/4
		230			94.5		108.6				
8SHVV30048*	30.0	460 3 60	870	F	47.2	1.2	54.3	200.0	28	138317	8/4 - 18/4
8SHVV30058*	30.0	575 3 60	870	F	37.8	1.2	43.5	160.0	28	138317	8/4 - 18/4
8SHVV40048	40.0	460 3 60	870	F	62.2	1.15	69.4	275.0	32	138318	6/4 - 18/4
8SHVV40058	40.0	575 3 60	870	F	49.8	1.15	55.5	220.0	32	138317	8/4 - 18/4
8SHVV50048	50.0	460 3 60	870	D	74.5	1.15	84.9	275.0	32	138318	6/4 - 18/4
8SHVV50058	50.0	575 3 60	870	D	59.0	1.15	67.4	220.0	32	138317	8/4 - 18/4

**IMPORTANT !**

Moisture and Temperature sensor leads are integral to power cord.

Pump rated for operation at ± 10% voltage at motor.

▲ Cord Suffix: XC - 30 Feet, XF - 50 Feet, XJ - 75 Feet, or XL - 100 Feet.

▲ Cord sold separately.

\* Select impeller diameter when ordering.

SECTION 0.1G  
PAGE 4  
DATE 6/19

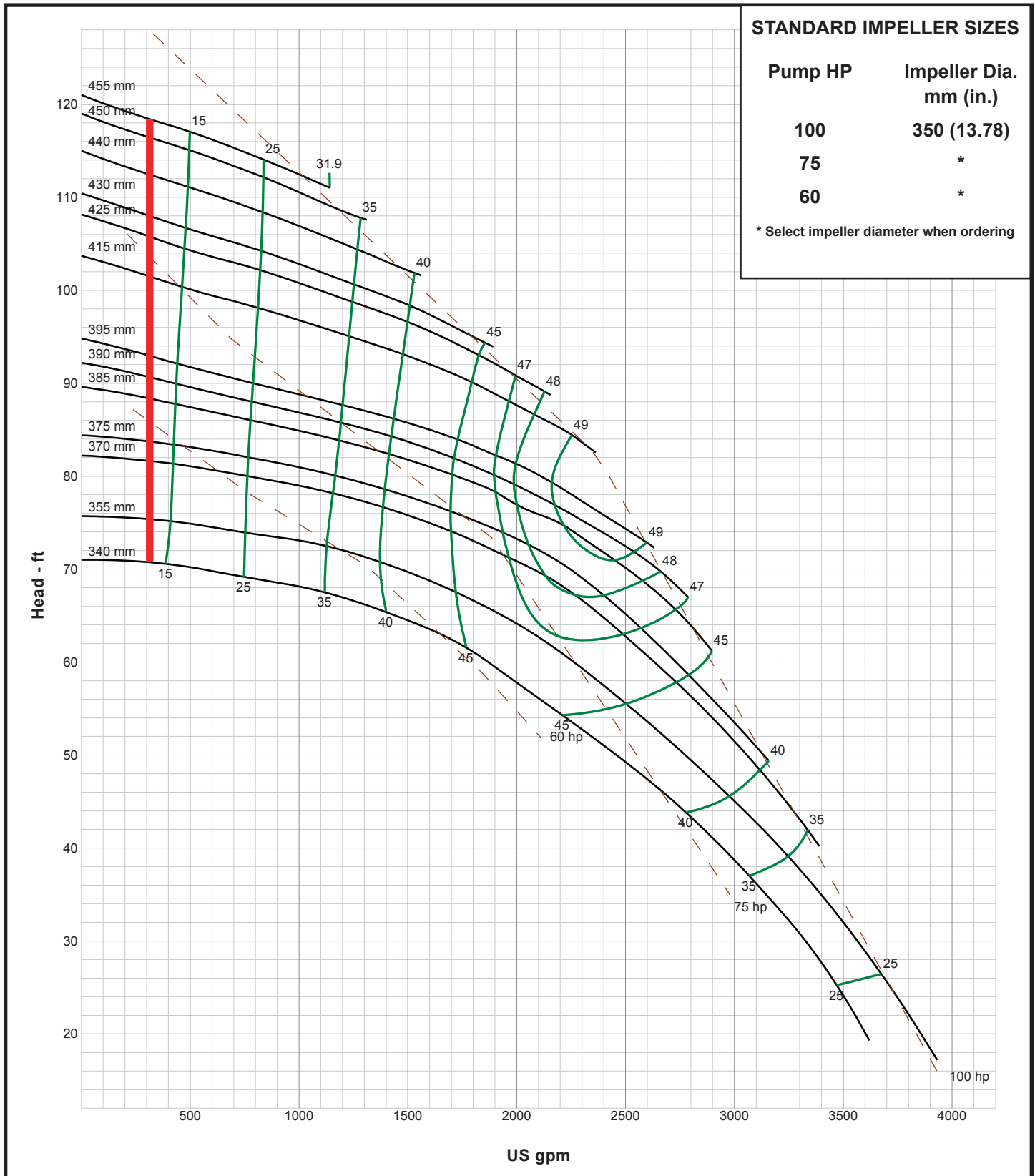


A Crane Co. Company

PUMPS & SYSTEMS

USA: (937) 778-8947 • Canada: (905) 457-6223 • International: (937) 615-3598

### Solids Handling Submersible Pumps



STANDARD IMPELLER SIZES	
Pump HP	Impeller Dia. mm (in.)
100	350 (13.78)
75	*
60	*

\* Select impeller diameter when ordering

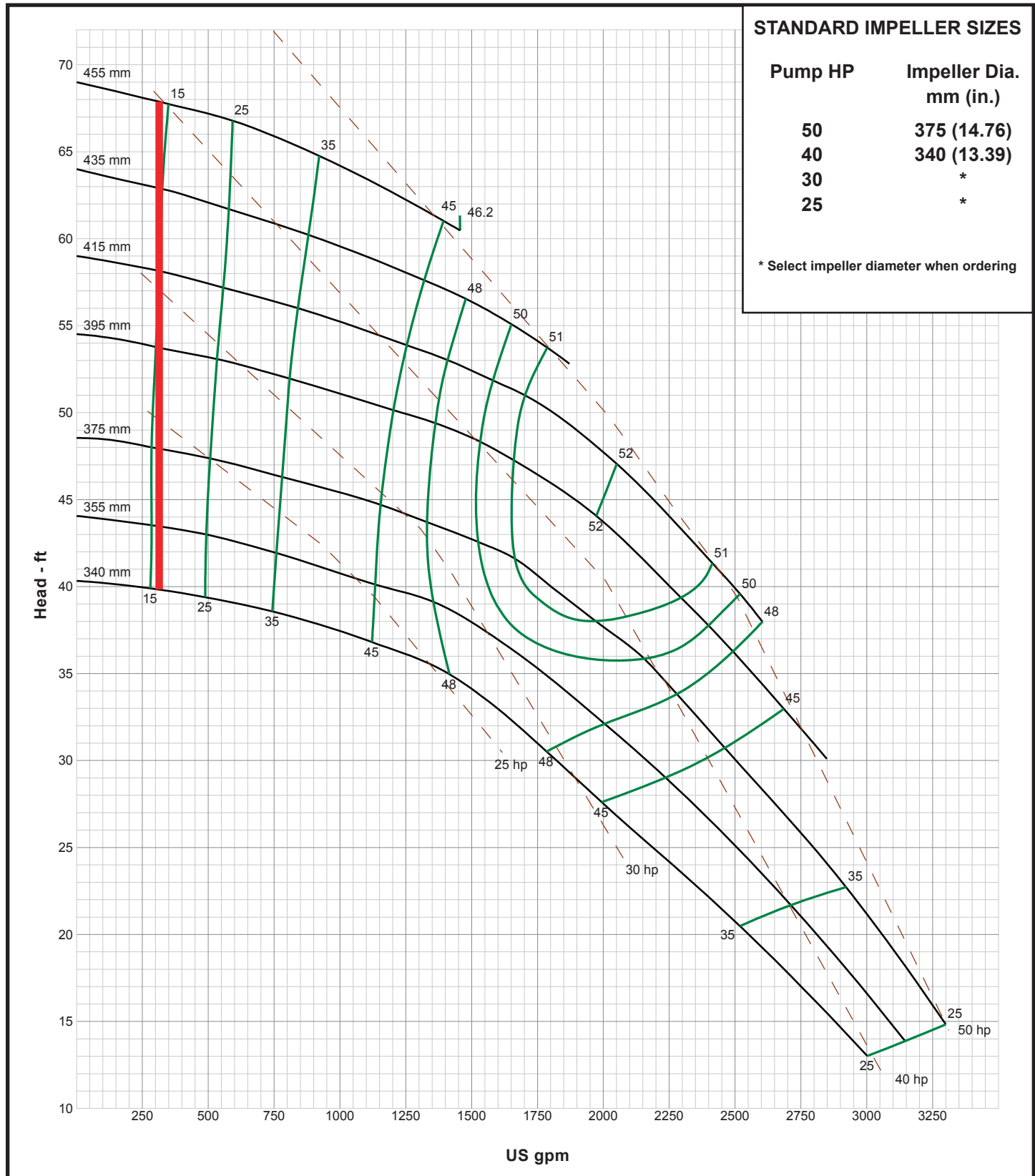
# Series 8SHVV

Performance Curve  
25 - 50HP, 870RPM, 60Hz



www.cranepumps.com

## Solids Handling Submersible Pumps



SECTION 0.1G  
PAGE 6  
DATE 2/16



A Crane Co. Company

## PUMPS & SYSTEMS

USA: (937) 778-8947 • Canada: (905) 457-6223 • International: (937) 615-3598