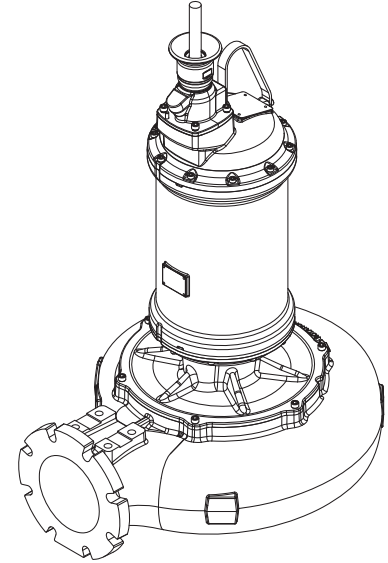


X-Pruf® Solids Handling Submersible Pumps

Specifications:

DISCHARGE	8", 125 lb. Horizontal Flange Slotted to accommodate 200mm ISO Flanges
LIQUID TEMPERATURE	104°F (40°C) Continuous
VOLUTE	Cast Iron ASTM A-48, Class 30
MOTOR HOUSING	Cast Iron ASTM A-48, Class 30
SEAL PLATE	Ductile Iron ASTM A-536, 65-45-12
IMPELLER:	
<i>Design</i>	Vortex, With Pump Out Vaned on Back Side. Dynamically Balanced ISO G6.3
<i>Material</i>	Ductile Iron ASTM A-536, 65-45-12
SHAFT	416 Stainless Steel
"O" RINGS	Buna-N
HARDWARE	300 Series Stainless Steel
LIFTING BAIL	300 Series Stainless Steel
PAINT	Axalta™ Corlar® Epoxy, Two Coats
SEAL:	
<i>Design</i>	Tandem Mechanical, Oil Filled Reservoir.
<i>Material: Inboard</i>	Rotating Faces - Carbon Stationary Faces - Ceramic
<i>Material: Outboard</i>	Rotating Faces - Silicon Carbide Stationary Faces - Silicon Carbide Elastomer - Buna-N Hardware - 300 Series Stainless
CORD ENTRY	50 ft. (12.1m) Cord. Rigid quick change epoxy-potted housing
POWER CORD	CSA Certified Submersible Power Cable 2000V - Ordered Separately
SPEED	1150 or 870 RPM
UPPER BEARING:	
<i>Design</i>	Single Row, Ball, Oil Lubricated
<i>Load</i>	Radial
LOWER BEARING:	
<i>Design</i>	Double Row, Ball, Oil Lubricated
<i>Load</i>	Radial & Thrust
MOTOR:	
<i>Design</i>	NEMA B Three Phase Torque Curve. Oil-Filled, Squirrel Cage Induction, Inverter Duty rated per NEMA MG1
<i>Insulation</i>	Class H Varnish & Magnet Wire
THREE PHASE	Requires overload protection to be included in control panel.
MOISTURE SENSOR	Normally Open (N/O), Requires Relay in Control Panel
TEMPERATURE SENSOR	Three Normally Closed (N/C). To be wired in series with control circuit.
OPTIONAL EQUIPMENT	White Iron Impeller, Seal Material, Impeller Trims, Cord Length
MARKINGS	CSA
WEIGHT	1155 lbs (524 Kg)
SUBMERGENCE	Max Depth 66ft (20m)
RECOMMENDED:	
<i>Accessories</i>	Break Away Fitting (BAF) Check Valve Control Panel Leg Kit



Series: 8XSHVV 25 - 30HP, 870RPM, 60Hz

Explosion Proof, Class I, Division 1, Groups C & D, T4

Sample Specifications: Section 0.1G Page F.

This product may be covered by one or more of the following patents and other patent(s) pending:
US Patent 8,128,360

DESCRIPTION:

SUBMERSIBLE NON-CLOG PUMP
DESIGNED FOR RAW SEWAGE
APPLICATIONS.



WARNING:
CANCER AND REPRODUCTIVE HARM -
WWW.P65WARNINGS.CA.GOV



Series 8XSHVV

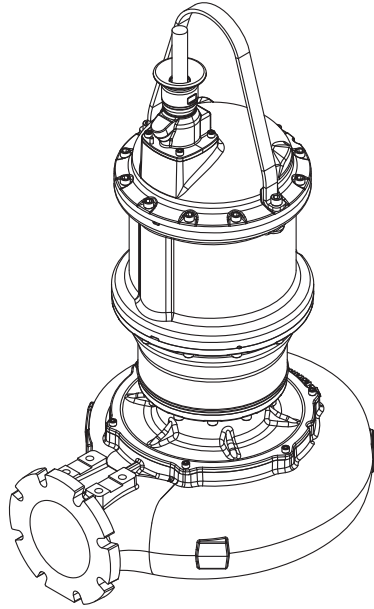
32 Frame Driver

4" Spherical Solids Handling

BARNES®

www.cranepumps.com

X-Pruf® Solids Handling Submersible Pumps



Series: 8XSHVV

60 - 100HP, 1150RPM, 60Hz

40 - 50HP, 870RPM, 60Hz

**Explosion Proof, Class I,
Division 1, Groups C & D, T4**

Sample Specifications: Section 0.1G Page F.

This product may be covered by one or more of the following patents and other patent(s) pending:
US Patent 8,128,360

DESCRIPTION:

SUBMERSIBLE NON-CLOG PUMP
DESIGNED FOR RAW SEWAGE
APPLICATIONS.



WARNING:

CANCER AND REPRODUCTIVE HARM -
WWW.P65WARNINGS.CA.GOV

Specifications:

DISCHARGE	8", 125 lb. Horizontal Flange Slotted to accommodate 200mm ISO Flanges
LIQUID TEMPERATURE	104°F (40°C) Continuous
VOLUTE	Cast Iron ASTM A-48, Class 30
MOTOR HOUSING	Cast Iron ASTM A-48, Class 30
SEAL PLATE	Cast Iron ASTM A-48, Class 30
IMPELLER:	
<i>Design</i>	Vortex, With Pump Out Vaness on Back Side. Dynamically Balanced ISO G6.3
<i>Material</i>	Ductile Iron ASTM A-536, 65-45-12
SHAFT	416 Stainless Steel
"O" RINGS	Buna-N
HARDWARE	300 Series Stainless Steel
LIFTING BAIL	300 Series Stainless Steel
PAINT	Axalta™ Corlar® Epoxy, Two Coats
SEAL:	
<i>Design</i>	Tandem Mechanical, Oil Filled Reservoir.
<i>Material: Inboard</i>	Rotating Faces - Carbon Stationary Faces - Ceramic
<i>Material: Outboard</i>	Rotating Faces - Silicon Carbide Stationary Faces - Silicon Carbide Elastomer - Buna-N Hardware - 300 Series Stainless
CORD ENTRY	50 ft. (12.1m) Cord. Rigid quick change epoxy-potted housing
POWER CORD	CSA Certified Submersible Power Cable 2000V - Ordered Separately
SPEED	1150 or 870 RPM
UPPER BEARING:	
<i>Design</i>	Single Row, Ball, Oil Lubricated
<i>Load</i>	Radial
LOWER BEARING:	
<i>Design</i>	Double Row, Ball, Oil Lubricated
<i>Load</i>	Radial & Thrust
MOTOR:	
<i>Design</i>	NEMA B Three Phase Torque Curve. Oil-Filled, Squirrel Cage Induction, Inverter Duty rated per NEMA MG1
<i>Insulation</i>	Class H Varnish & Magnet Wire
THREE PHASE	Requires overload protection to be included in control panel.
MOISTURE SENSOR	Normally Open (N/O), Requires Relay in Control Panel
TEMPERATURE SENSOR	Three Normally Closed (N/C). To be wired in series with control circuit.
OPTIONAL EQUIPMENT	White Iron Impeller, Seal Material, Impeller Trims, Cord Length
MARKINGS	CSA
WEIGHT	1769 lbs (802 Kg)
SUBMERGENCE	Max Depth 66ft (20m)
RECOMMENDED:	
<i>Accessories</i>	Break Away Fitting (BAF) Check Valve Control Panel Leg Kit



SECTION 0.1H
PAGE 2
DATE 6/19

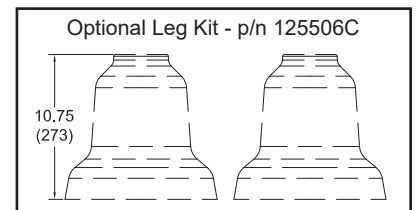
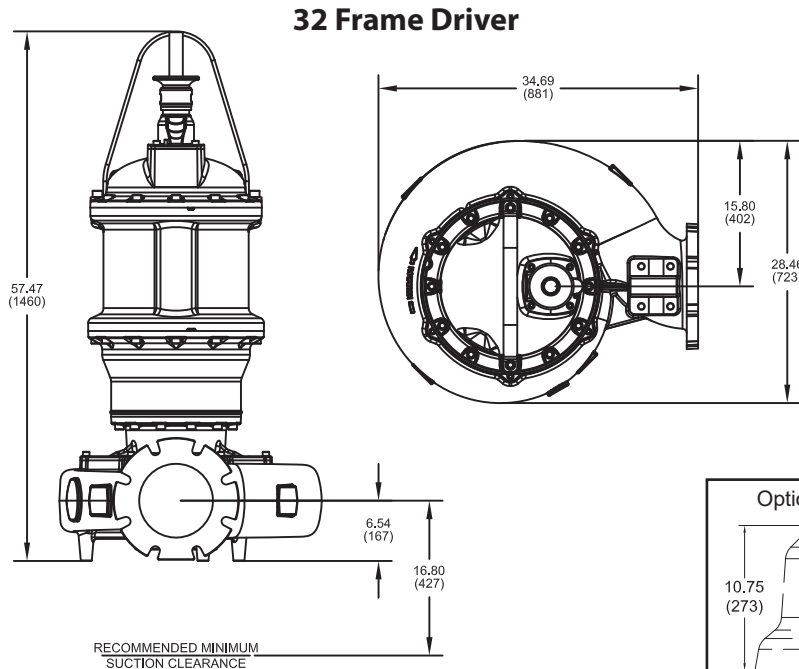
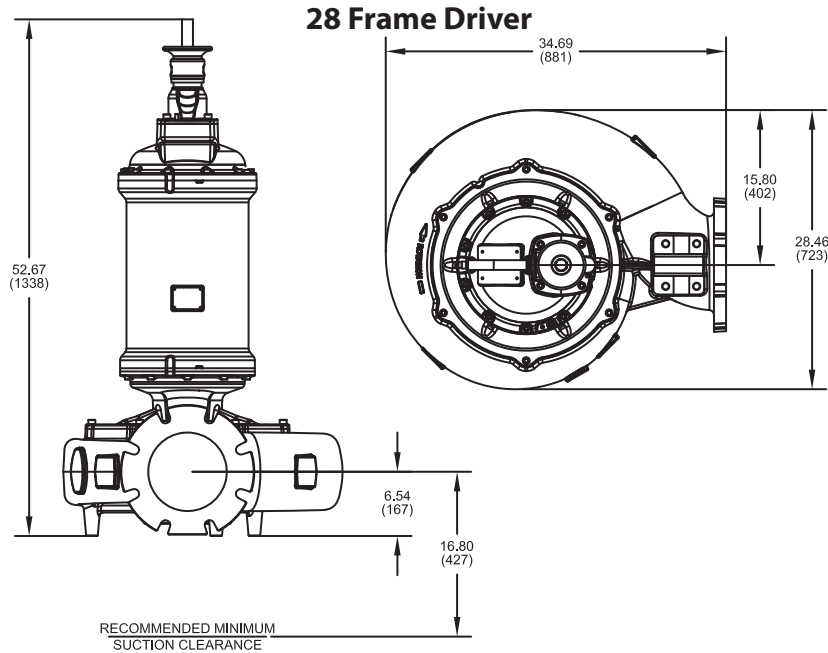
CRANE®

A Crane Co. Company

PUMPS & SYSTEMS

USA: (937) 778-8947 • Canada: (905) 457-6223 • International: (937) 615-3598

X-Pruf® Solids Handling Submersible Pumps



IMPORTANT !

- 1.) MOISTURE AND TEMPERATURE SENSORS MUST BE CONNECTED TO VALIDATE THE CSA LISTING.
- 2.) A SPECIAL MOISTURE SENSOR RELAY IS REQUIRED IN THE CONTROL PANEL FOR PROPER OPERATION OF THE MOISTURE SENSORS. CONTACT BARNES PUMPS FOR INFORMATION CONCERNING MOISTURE SENSING RELAYS FOR CUSTOMER SUPPLIED CONTROL PANELS.
- 3.) THESE PUMPS ARE CSA LISTED FOR PUMPING WATER AND WASTEWATER. **DO NOT USE TO PUMP FLAMMABLE LIQUIDS.**
- 4.) INSTALLATIONS SUCH AS DECORATIVE FOUNTAINS OR WATER FEATURES PROVIDED FOR VISUAL ENJOYMENT MUST BE INSTALLED IN ACCORDANCE WITH THE NATIONAL ELECTRIC CODE ANSI/NFPA 70 AND/OR THE AUTHORITY HAVING JURISDICTION. THIS PUMP IS NOT INTENDED FOR USE IN SWIMMING POOLS, RECREATIONAL WATER PARKS, OR INSTALLATIONS IN WHICH HUMAN CONTACT WITH PUMPED MEDIA IS A COMMON OCCURRENCE.

Series 8XSHVV

4" Spherical Solids Handling



www.cranepumps.com

X-Pruf® Solids Handling Submersible Pumps

MODEL NO	HP	VOLT PH	Hz	RPM (Nom)	NEMA START CODE	FULL LOAD AMPS	SERVICE FACTOR	SERVICE FACTOR AMPS	LOCKED ROTOR AMPS	DRIVER FRAME	CORD P/N ▲	CORD SIZE
8XSHVV60046*	60.0	460 3	60	1150	F	86.7	1.15	96.8	400.0	32	138319	2/4 - 18/4
8XSHVV60056*	60.0	575 3	60	1150	F	69.4	1.15	77.4	320.0	32	138318	6/4 - 18/4
8XSHVV75046*	75.0	460 3	60	1150	H	109.3	1.15	119.5	612.0	32	138319	2/4 - 18/4
8XSHVV75056*	75.0	575 3	60	1150	H	87.4	1.15	95.6	489.6	32	138319	2/4 - 18/4
8XSHVV100046	100.0	460 3	60	1150	E	135.0	1.0	135.0	612.0	32	138319	2/4 - 18/4
8XSHVV100056	100.0	575 3	60	1150	E	108.0	1.0	108.0	489.6	32	138319	2/4 - 18/4
XSHVV Pump												
8XSHVV25098*	25.0	208 3	60	870	H	82.3	1.2	98.8	400.0	28	138319	2/4 - 18/4
		230				84.0		94.5				
8XSHVV25048*	25.0	460 3	60	870	H	42.0	1.2	47.2	200.0	28	138317	8/4 - 18/4
8XSHVV25058*	25.0	575 3	60	870	H	33.6	1.2	37.8	160.0	28	138317	8/4 - 18/4
8XSHVV30098*	30.0	208 3	60	870	F	98.8	1.2	124.1	400.0	28	138319	2/4 - 18/4
		230				94.5		108.6				
8XSHVV30048*	30.0	460 3	60	870	F	47.2	1.2	54.3	200.0	28	138317	8/4 - 18/4
8XSHVV30058*	30.0	575 3	60	870	F	37.8	1.2	43.5	160.0	28	138317	8/4 - 18/4
8XSHVV40048	40.0	460 3	60	870	F	62.2	1.15	69.4	275.0	32	138318	6/4 - 18/4
8XSHVV40058	40.0	575 3	60	870	F	49.8	1.15	55.5	220.0	32	138317	8/4 - 18/4
8XSHVV50048	50.0	460 3	60	870	D	74.5	1.15	84.9	275.0	32	138318	6/4 - 18/4
8XSHVV50058	50.0	575 3	60	870	D	59.0	1.15	67.4	220.0	32	138317	8/4 - 18/4

IMPORTANT !

Moisture and Temperature sensor leads are integral to power cord.

Pump rated for operation at ± 10% voltage at motor.

▲ Cord Suffix: XC - 30 Feet, XF - 50 Feet, XJ - 75 Feet, or XL - 100 Feet.

▲ Cord sold separately.

* Select impeller diameter when ordering.

SECTION 0.1H
PAGE 4
DATE 6/19

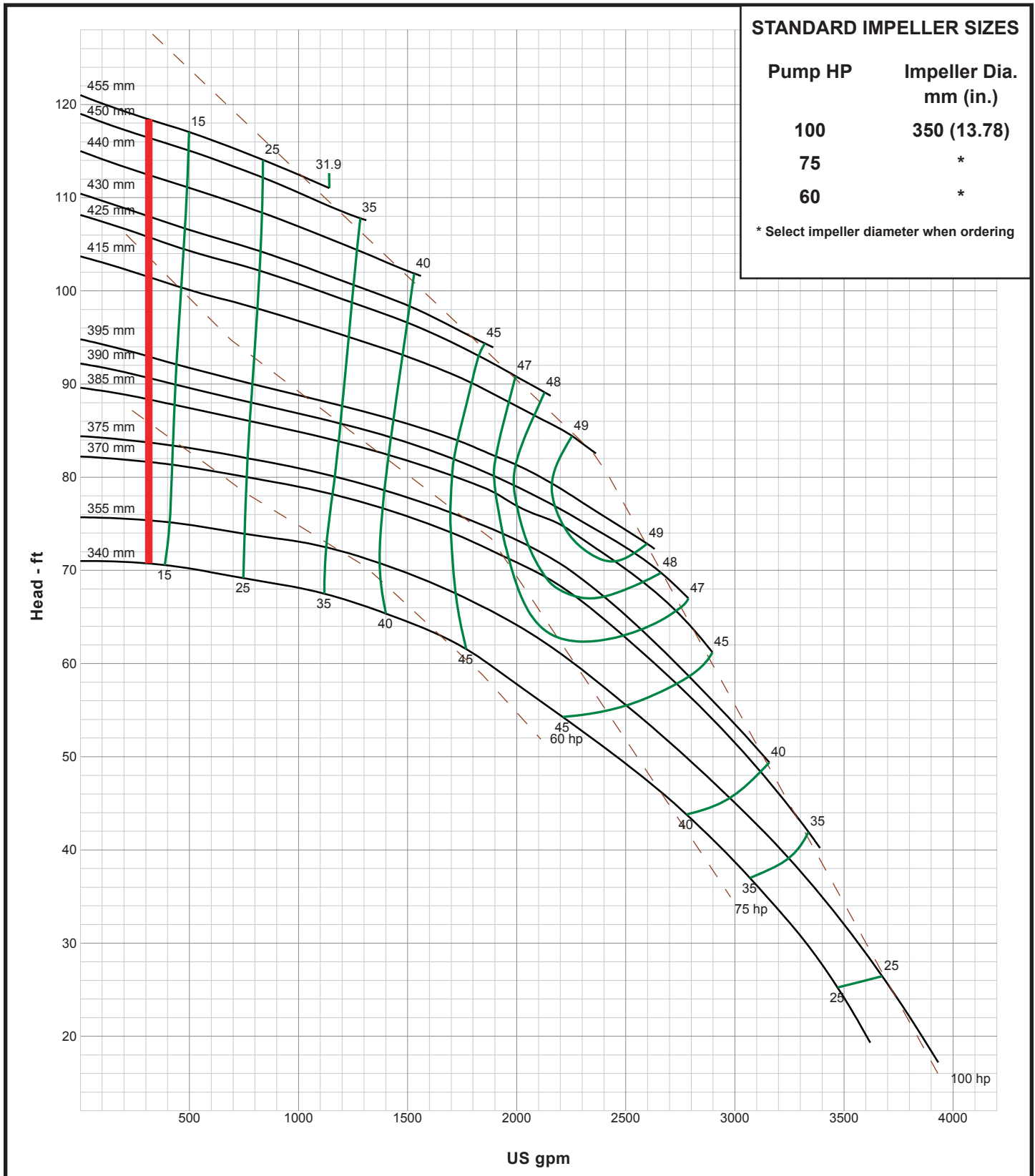


A Crane Co. Company

PUMPS & SYSTEMS

USA: (937) 778-8947 • Canada: (905) 457-6223 • International: (937) 615-3598

X-Pruf® Solids Handling Submersible Pumps



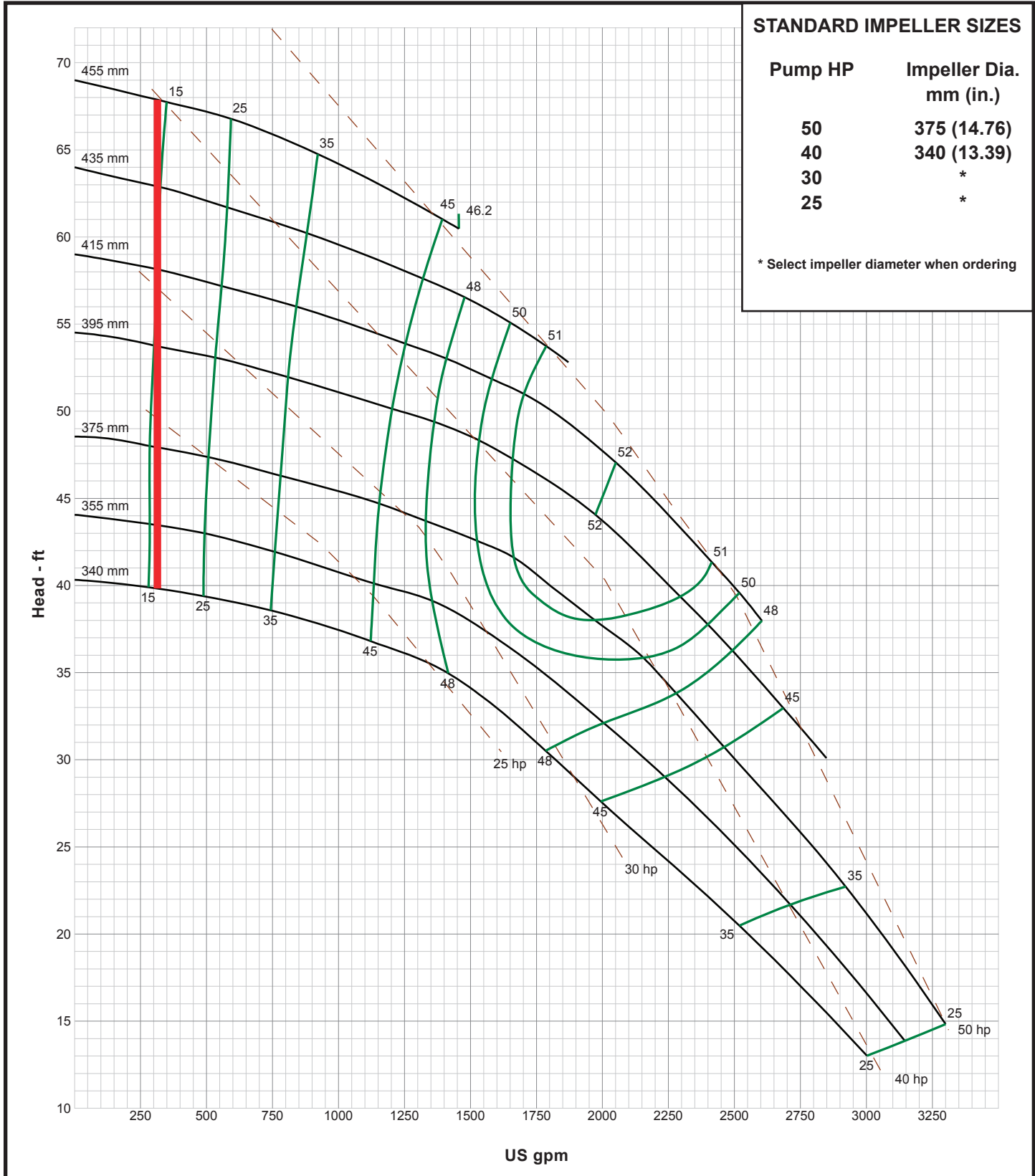
Series 8XSHVV

Performance Curve
25 - 50HP, 870RPM, 60Hz

BARNES®

www.cranepumps.com

X-Pruf® Solids Handling Submersible Pumps



SECTION 0.1H
PAGE 6
DATE 2/16

CRANE
A Crane Co. Company

PUMPS & SYSTEMS

USA: (937) 778-8947 • Canada: (905) 457-6223 • International: (937) 615-3598