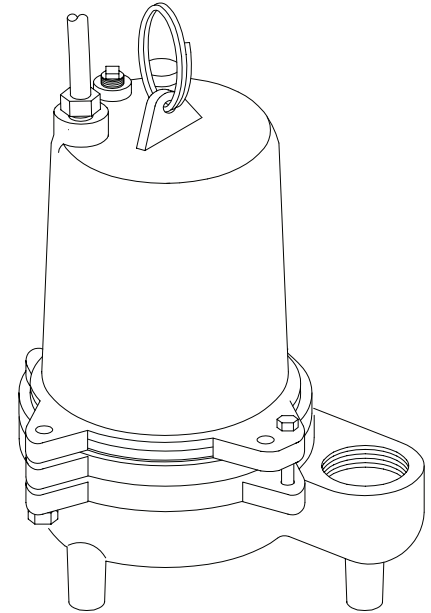


**DISCHARGE** .....2" NPT, Female, Vertical  
**LIQUID TEMPERATURE**  
    **SE411** .....77°F (25°C) Continuous  
    **SE421** .....104°F (40°C) Continuous  
**VOLUTE** ..... Cast Iron ASTM A-48, Class 30  
**MOTOR HOUSING** ..... Cast Iron ASTM A-48, Class 30  
**SEAL PLATE** ..... Cast Iron ASTM A-48, Class 30  
**IMPELLER:**  
    *Design*.....2 Vane, Open with pump out vanes on back  
                    side, Dynamically Balanced, ISO G6.3  
    *Material* ..... Cast Iron ASTM A-48, Class 30  
**SHAFT** ..... 416 Stainless Steel  
**SQUARE RINGS** .....Buna-N  
**HARDWARE** .....300 Series Stainless Steel  
**PAINT** .....Air Dry Enamel  
**SEAL:**    *Design* .....Single Mechanical, Oil Filled Reservoir,  
                    Secondary Exclusion Seal  
    *Material* .....Carbon/Ceramic/Buna-N  
                    Hardware - 300 Series Stainless  
**CORD ENTRY** ..... 15 ft. (5m) Quick Disconnect Cord with plug  
                    On 115Volt, Pressure Grommet for sealing  
                    and strain relief  
**SPEED** ..... 1750 RPM (Nominal)  
**UPPER BEARING**.....Single Row, Ball, Oil Lubricated  
    *Load*.....Radial  
**LOWER BEARING**.....Single Row, Ball, Oil Lubricated  
    *Load*.....Radial & Thrust  
**MOTOR:**    *Design* ..... NEMA L Torque Curve, Oil Filled, Squirrel  
                    Cage Induction  
    *Insulation* ..... Class B  
**SINGLE PHASE**.....Permanent Split Capacitor (PSC)  
                    Includes Overload Protection in Motor  
**LEVEL CONTROL** ..... "A" - Wide Angle, PVC, Mechanical, 15 ft (5m)  
                    cord with Piggy-Back Plug, N/O  
                    "VF" - Vertical Float, PVC, Snap Action,  
                    15 ft (5m) cord, with Piggy-Back plug.  
                    OFF point ONLY is adjustable  
**OPTIONAL EQUIPMENT** .....Seal Material, Additional Cord

**RECOMMENDED:**

*Accessories*..... Break Away Fitting (BAF)  
                    Check Valve  
                    Control Panel  
*Seal Kit PN* .....085202  
*Service Kit PN*.085201



**Series: SE (SE411 & SE421)**  
**.4HP, 1750RPM, 60Hz**



Sample Specifications: Section 1 Page 3.

**DESCRIPTION:**

SUBMERSIBLE NON-CLOG SEWAGE PUMP  
DESIGNED FOR TYPICAL RAW SEWAGE  
APPLICATIONS

# Series SE-411/421

2" Spherical Solids Handling  
Manual & Automatic

# BARNES®

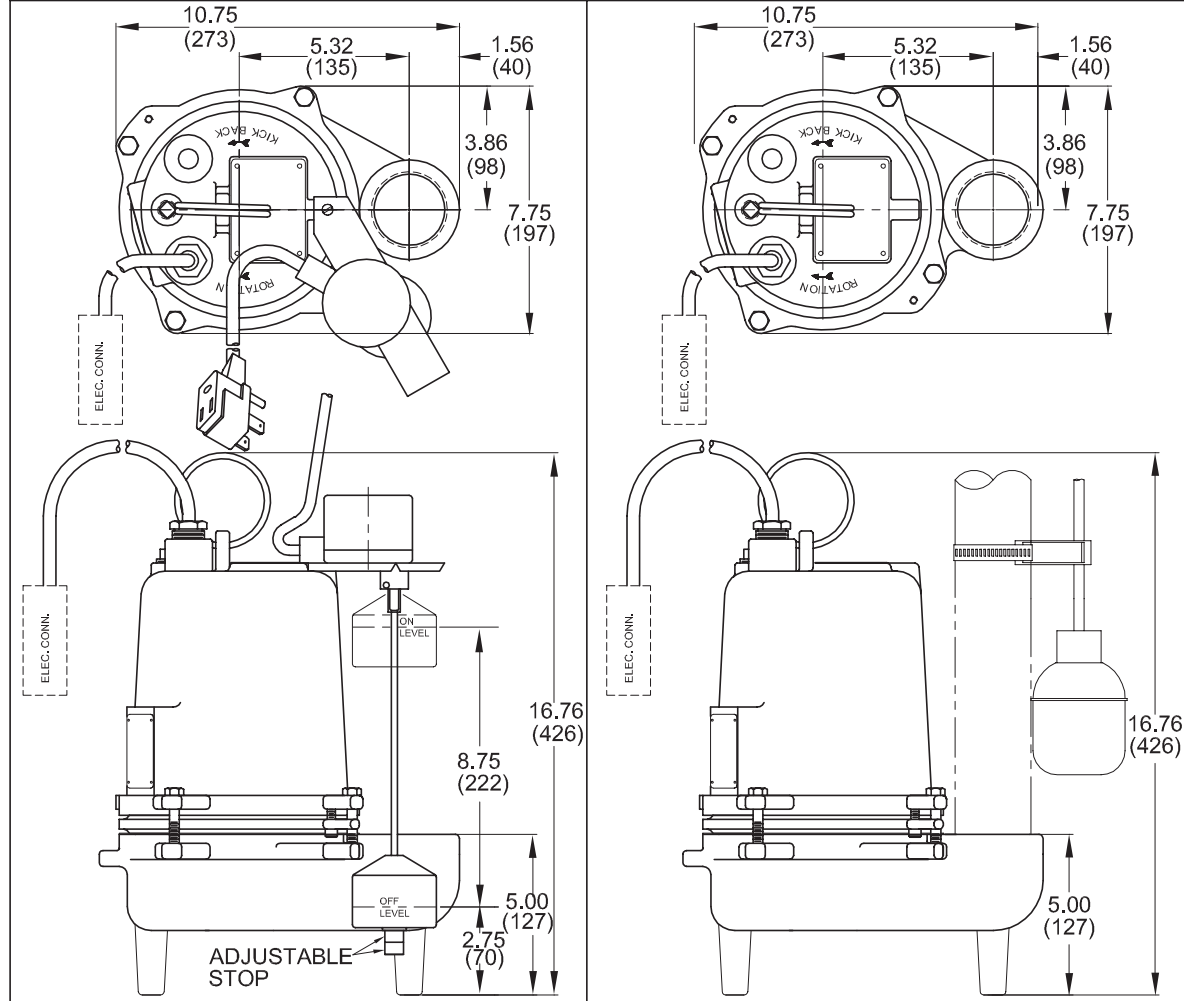
www.cranepumps.com

1½", 2" & 3" Discharge

SE411VF

SE411 & SE421 (Less Float)  
SE411A

inches  
(mm)



MODEL NO	PART NO	HP	VOLT/PH	Hz	RPM (Nom)	NEMA START CODE	FULL LOAD AMPS	LOCKED ROTOR AMPS	CORD SIZE	CORD TYPE	CORD O.D inch (mm)
SE411	096747	0.4	115/1	60	1750	C	12.0	19.0	16/3	SJTOW	0.310 (7.9)
SE411A	096748	0.4	115/1	60	1750	C	12.0	19.0	16/3	SJTOW	0.310 (7.9)
SE411VF	100836	0.4	115/1	60	1750	C	12.0	19.0	16/3	SJTOW	0.310 (7.9)
SE421	096750	0.4	230/1	60	1750	C	6.2	13.0	14/3	SJTOW	0.375 (9.5)

Mechanical Switch on SE-A, cord 16/2, SJOW, Piggy-Back Plug  
Vertical Switch on SE-VF, cord 16/2, SJOW, 0.320 (8.1mm) O.D. Piggy-Back Plug

**IMPORTANT !**

- 1.) PUMP MAY BE OPERATED "DRY" FOR EXTENDED PERIODS WITHOUT DAMAGE TO MOTOR AND/OR SEALS.
- 2.) INSTALLATIONS SUCH AS DECORATIVE FOUNTAINS OR WATER FEATURES PROVIDED FOR VISUAL ENJOYMENT MUST BE INSTALLED IN ACCORDANCE WITH THE NATIONAL ELECTRIC CODE ANSI/NFPA 70 AND/OR THE AUTHORITY HAVING JURISDICTION. THIS PUMP IS NOT INTENDED FOR USE IN SWIMMING POOLS, RECREATIONAL WATER PARKS, OR INSTALLATIONS IN WHICH HUMAN CONTACT WITH PUMPED MEDIA IS A COMMON OCCURRENCE.

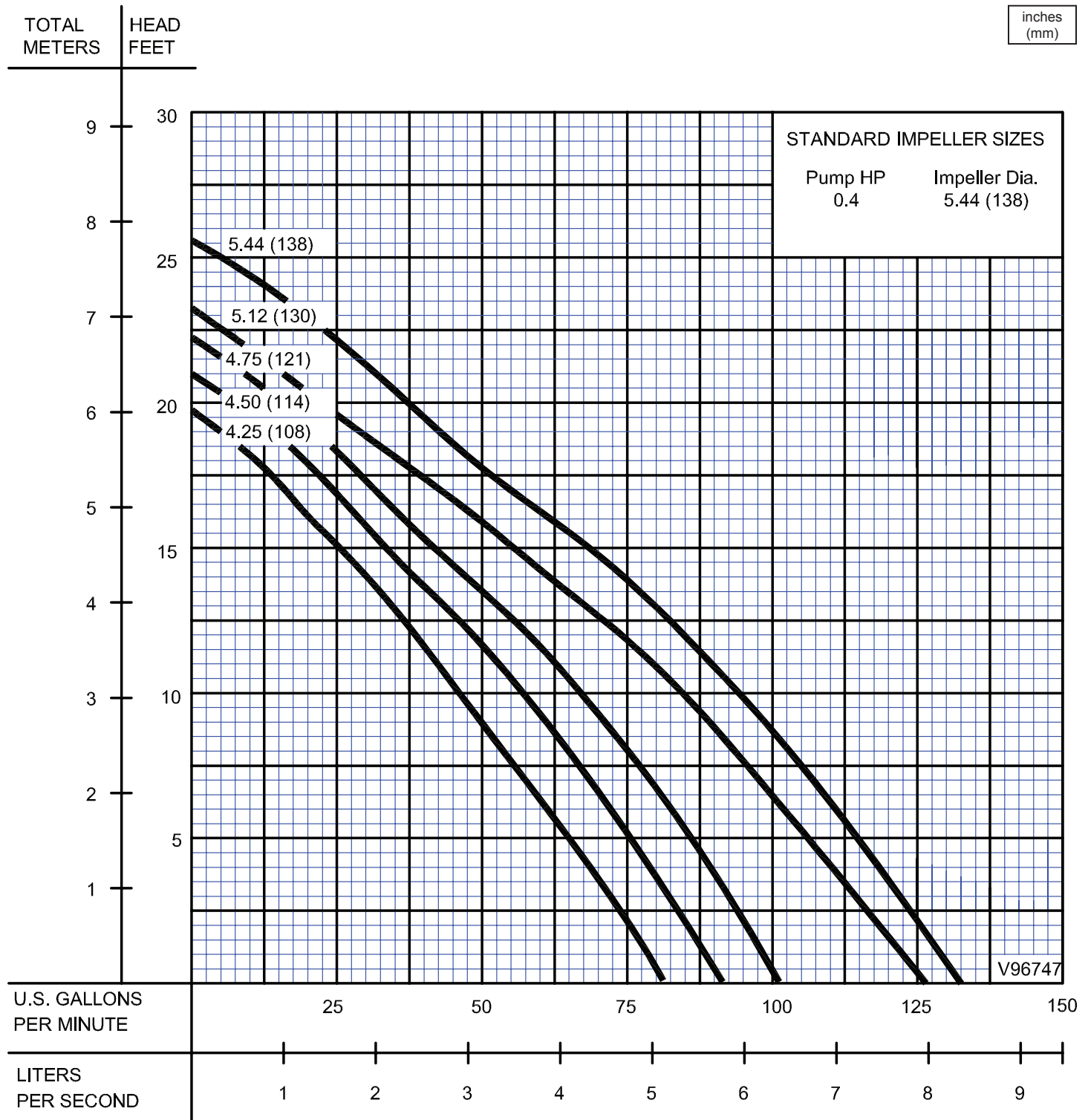
SECTION 1B  
PAGE 2  
DATE 4/15

**CRANE**®

PUMPS & SYSTEMS

A Crane Co. Company

USA: (937) 778-8947 • Canada: (905) 457-6223 • International: (937) 615-3598



Testing is performed with water, specific gravity 1.0 @ 68° F @ (20°C), other fluids may vary performance