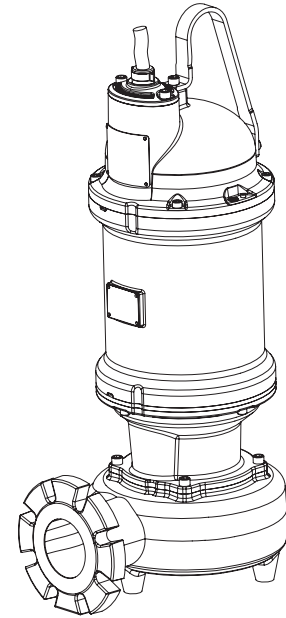


Solids Handling Submersible Pumps

Specifications:

DISCHARGE	4", 125 lb. Horizontal Flange Slotted to accommodate 100mm ISO Flanges
LIQUID TEMPERATURE ...	104°F (40°C) Continuous
VOLUTE	Cast Iron ASTM A-48, Class 30
MOTOR HOUSING	Cast Iron ASTM A-48, Class 30
SEAL PLATE	Cast Iron ASTM A-48, Class 30
IMPELLER:	
<i>Design</i>	Vortex, With Pump Out Vaness on Back Side. Dynamically Balanced ISO G6.3
<i>Material</i>	Ductile Iron ASTM A-536, 65-45-12
SHAFT	416 Stainless Steel
"O" RINGS	Buna-N
HARDWARE	300 Series Stainless Steel
LIFTING BAIL	300 Series Stainless Steel
PAINT	Epoxy Dupont Corlar® Amine Epoxy, Two Coats
SEAL: Design	Tandem Mechanical, Oil Filled Reservoir.
<i>Material: Inboard</i>	Rotating Faces - Carbon Stationary Faces - Ceramic
<i>Material: Outboard</i> ..	Rotating Faces - Silicon Carbide Stationary Faces - Silicon Carbide Elastomer - Buna-N Hardware - 300 Series Stainless
CORD ENTRY	Custom Molded, Quick Connected for Sealing and Strain Relief
POWER CORD	CSA Certified Submersible Power Cable 2000V - Ordered Separately
SPEED	3450 RPM (Nominal)
UPPER BEARING:	
<i>Design</i>	Single Row, Ball, Oil Lubricated
<i>Load</i>	Radial
LOWER BEARING:	
<i>Design</i>	Double Row, Ball, Oil Lubricated
<i>Load</i>	Radial & Thrust
MOTOR: Design	NEMA B Three Phase Torque Curve. Oil-Filled, Squirrel Cage Induction, Inverted duty rated per NEMA MG1
<i>Insulation</i>	Class H, Varnish & Magnet Wire
THREE PHASE	Tri-voltage 208-230/460V up to 15HP, Dual Voltage 230/460V up to 20 HP, 460V only 25 & 30 HP & 575V; 7.5 thru 30HP. Requires Overload Protection to be Included in control panel.
MOISTURE SENSOR	Normally Open (N/O), Requires Relay in Control Panel
TEMPERATURE SENSOR ..	Three Normally Closed (N/C). To be wired in series with contactor control circuit
OPTIONAL EQUIPMENT ..	Seal Material, Impeller Trims, Cord Length, Leg Kit (p/n 125506)
MARKINGS	CSA, CE
WEIGHT	399 lbs
NOISE EMISSION MAX	In-Air 81 dB-A
SUBMERGENCE	Max Depth 66ft (20m)



Series: 4SHV
7.5 - 30HP, 3450RPM, 60Hz



® Canadian Standards Association
File No. LR16567-25



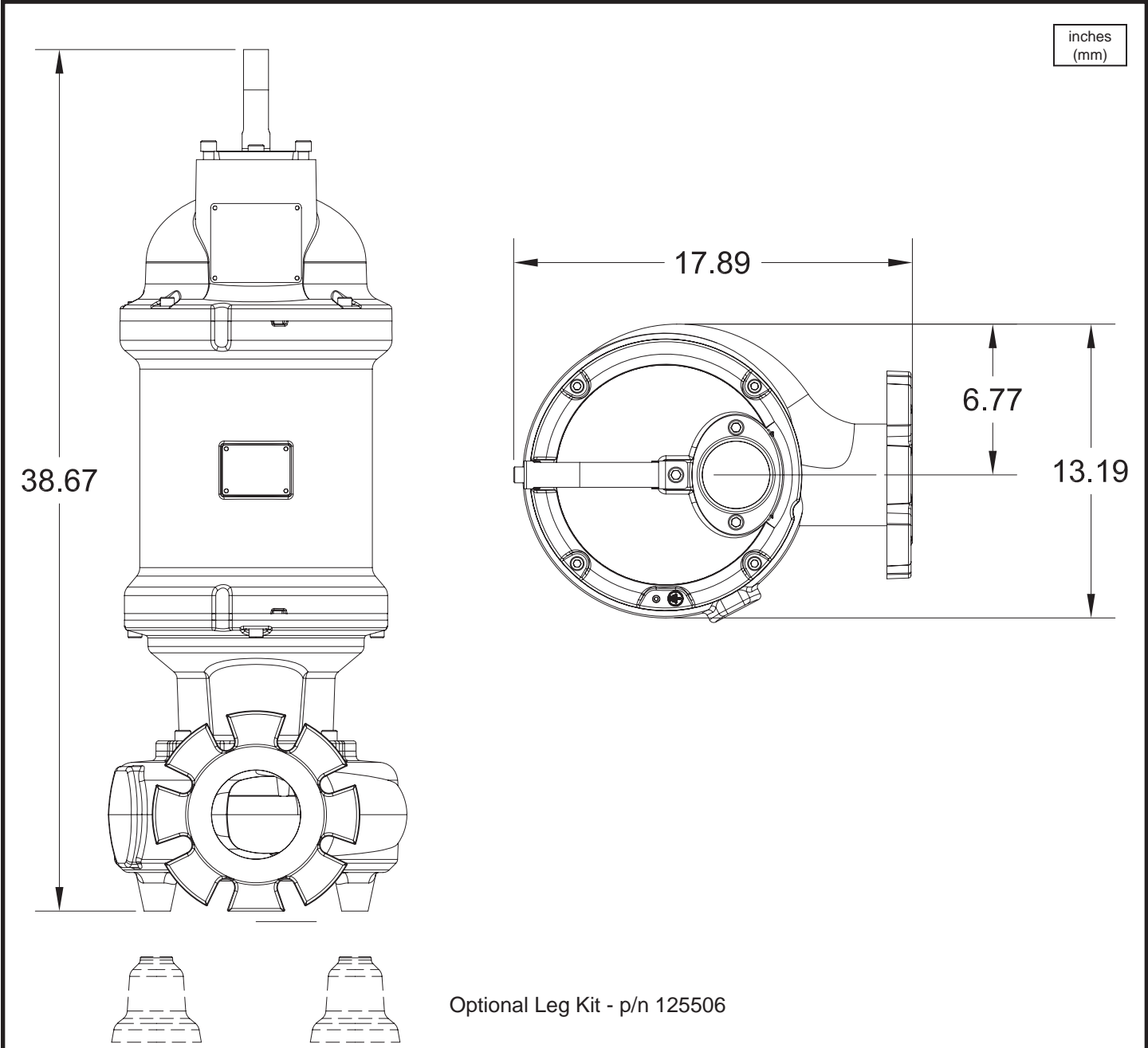
Patent Pending

Sample Specifications: Section 1 Page 21.

DESCRIPTION:

SUBMERSIBLE NON-CLOG SEWAGE PUMP
DESIGNED FOR **HAZARDOUS** RAW
SEWAGE APPLICATIONS.

Solids Handling Submersible Pumps



IMPORTANT !

- 1.) MOISTURE AND TEMPERATURE SENSORS MUST BE CONNECTED TO VALIDATE THE CSA LISTING.
- 2.) A SPECIAL MOISTURE SENSOR RELAY IS REQUIRED IN THE CONTROL PANEL FOR PROPER OPERATION OF THE MOISTURE SENSORS. CONTACT BARNES PUMPS FOR INFORMATION CONCERNING MOISTURE SENSING RELAYS FOR CUSTOMER SUPPLIED CONTROL PANELS.
- 3.) THESE PUMPS ARE CSA LISTED FOR PUMPING WATER AND WASTEWATER. **DO NOT USE TO PUMP FLAMMABLE LIQUIDS.**
- 4.) INSTALLATIONS SUCH AS DECORATIVE FOUNTAINS OR WATER FEATURES PROVIDED FOR VISUAL ENJOYMENT MUST BE INSTALLED IN ACCORDANCE WITH THE NATIONAL ELECTRIC CODE ANSI/NFPA 70 AND/OR THE AUTHORITY HAVING JURISDICTION. THIS PUMP IS NOT INTENDED FOR USE IN SWIMMING POOLS, RECREATIONAL WATER PARKS, OR INSTALLATIONS IN WHICH HUMAN CONTACT WITH PUMPED MEDIA IS A COMMON OCCURRENCE.
- 5.) THIS PUMP IS NOT APPROPRIATE FOR THOSE APPLICATIONS SPECIFIED AS CLASS 1 DIVISION 1 HAZARDOUS LOCATIONS.

Solids Handling Submersible Pumps

MODEL NO	PART NO	"A" DIM	HP	VOLT / Ph	PH	Hz	RPM (Nom)	NEMA START CODE	FULL LOAD AMPS	1-2 SERVICE FACTOR AMPS	LOCKED ROTOR AMPS	CORD P/N
4SHVA75N2	127442	38.67	7.5	208	3	60	3450	K	35.5-32.1/16.1	38.8-35.1/17.5	195.7/88.5	125498
				230								
				460								
4SHVA7552	127443	38.67	7.5	575	3	60	3450	K	12.9	14.0	70.8	125497
				208								
				230								
4SHVA100N2	127444	38.67	10.0	460	3	60	3450	H	41.1-37.1/18.6	45.9-41.6/20.8	195.7/88.5	125498
				230								
				460								
4SHVA10052	127445	38.67	10.0	575	3	60	3450	H	14.9	16.6	70.8	125497
				208								
				230								
4SHVA150N2	127446	38.67	15.0	460	3	60	3450	E	54.1-48.9/24.4	59.0-57.1/28.5	195.7/88.5	125498
				230								
				460								
4SHVA15052	127447	38.67	15.0	575	3	60	3450	E	19.5	22.8	70.8	125497
				230								
				460								
4SHVA20082	127448	38.67	20.0	460	3	60	3450	J	50.8/25.4	59.0/29.7	189.0	125497
				230								
				460								
4SHVA20052	127449	38.67	20.0	575	3	60	3450	J	20.3	23.8	151.2	125497
				460								
				460								
4SHVA25042	127450	38.67	25.0	460	3	60	3450	G	30.8	36.7	189.0	125499
				575								
				460								
4SHVA25052	127451	38.67	25.0	575	3	60	3450	G	24.6	29.4	151.2	125497
				460								
				460								
4SHVA30042	127452	38.67	30.0	460	3	60	3450	F	36.7	44.3	189.0	125499
				575								
				460								
4SHVA30052	127453	38.67	30.0	575	3	60	3450	F	29.4	35.4	151.2	125499
				208								
				230								
4SHVB75N2	127490	38.67	7.5	460	3	60	3450	K	35.5-32.1/16.1	38.8-35.1/17.5	195.7/88.5	125498
				230								
				460								
4SHVB7552	127491	38.67	7.5	575	3	60	3450	K	12.9	14.0	70.8	125497
				208								
				460								
4SHVB100N2	127492	38.67	10.0	230	3	60	3450	H	41.1-37.1/18.6	45.9-41.6/20.8	195.7/88.5	125498
				460								
				460								
4SHVB10052	127493	38.67	10.0	575	3	60	3450	H	14.9	16.6	70.8	125497
				208								
				460								
4SHVB150N2	127494	38.67	15.0	230	3	60	3450	E	54.1-48.9/24.4	59.0-57.1/28.5	195.7/88.5	125498
				460								
				460								
4SHVB15052	127495	38.67	15.0	575	3	60	3450	E	19.5	22.8	70.8	125497
				230								
				460								
4SHVB20082	127496	38.67	20.0	460	3	60	3450	J	50.8/25.4	59.0/29.7	189.0	125497
				230								
				460								
4SHVB20052	127497	38.67	20.0	575	3	60	3450	J	20.3	23.8	151.2	125497
				460								
				460								
4SHVB25042	127498	38.67	25.0	460	3	60	3450	G	30.8	36.7	189.0	125499
				575								
				460								
4SHVB25052	127499	38.67	25.0	575	3	60	3450	G	24.6	29.4	151.2	125497
				460								
				460								
4SHVB30042	127500	38.67	30.0	460	3	60	3450	F	36.7	44.3	189.0	125499
				575								
				460								
4SHVB30052	127501	38.67	30.0	575	3	60	3450	F	29.4	35.4	151.2	125499
				230								
				460								

*** CORD ORDERED SEPARATELY ***

Moisture and Temperature sensor leads are integral to power cord.

Pump rated for operation at ± 10% voltage at motor.

IMPORTANT !

Moisture and Temperature sensor leads are integral to power cord.

Winding Resistance 7.5% Winding resistance measured in OHMS @ 25°C (Between Lines) at motor leads.

Pump rated for operation at ± 10% voltage at motor.

Cord Suffix: XF - 50 Feet, XJ - 75 Feet, or XL - 100 Feet.

Series 4SHV

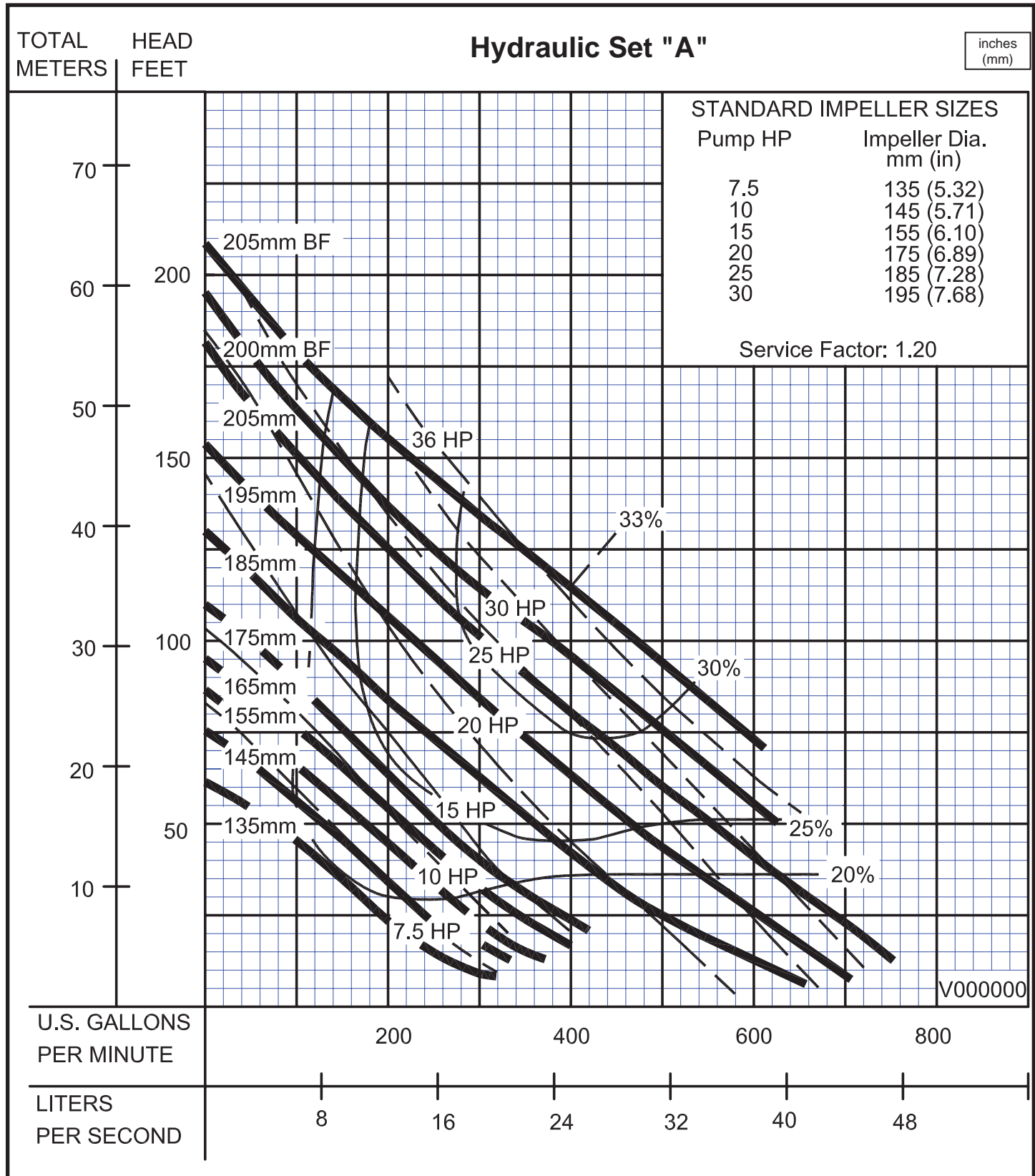
Performance Curve

7.5 - 30HP, 3450RPM, 60Hz



www.cranepumps.com

Solids Handling Submersible Pumps



SECTION NEW
PAGE 4
DATE 9/09

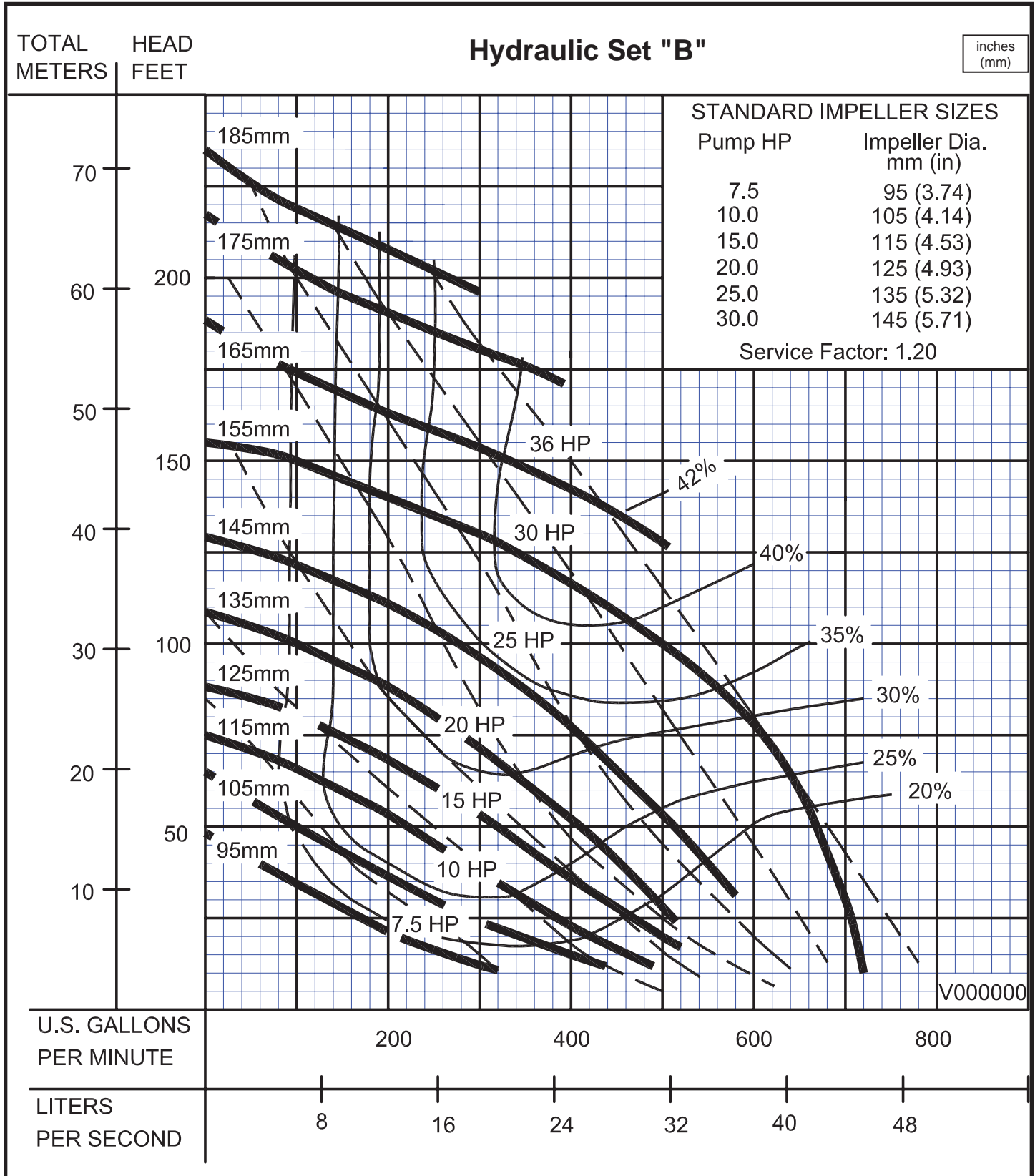


A Crane Co. Company

PUMPS & SYSTEMS

USA: (937) 778-8947 • Canada: (905) 457-6223 • International: (937) 615-3598

Solids Handling Submersible Pumps



Solids Handling Submersible Pumps

This page intentionally left blank