

GENERAL:

A wall mounted control panel shall be supplied with each station. All control panels shall be UL Listed to meet Standard UL 508A. Each panel shall be constructed with a padlockable NEMA 4X non-metallic enclosure and utilize stainless steel hardware.

SIMPLEX CONTROL PANELS:

The control panel shall include as a minimum: circuit breakers, fuses, terminal strip, ground lug, capacitors when required, IEC rated motor starters, relays, alarm silence button mounted on enclosure, and internal push to run button.

HIGH WATER ALARM DEVICE(s):

Each control panel shall include a visual and audible, with silence, high water alarm device. Alarm circuit shall be separately fused from motor control circuit. The visual alarm shall be a red fluted lens mounted to the top of the enclosure in such a manner as to maintain rain-proof integrity. The 90db audible device shall be capable of being de-activated by means of a NEMA 4X silence button mounted on the exterior of the enclosure. Visual alarm will remain on as long as a high water condition exists in the basin. Both visual and audio alarms will automatically reset when the high water condition subsides.

Specifications

STEALTH™ Duplex, Wall Mount
For SGV, OGP & OGV Grinder Pumps

BARNES®

www.cranepumps.com

Control Panels & Accessories

GENERAL:

A wall mounted control panel shall be supplied with each station. All control panels shall be UL Listed to meet Standard UL 508A. Each panel shall be constructed with a padlockable NEMA 4X non-metallic enclosure and utilize stainless steel hardware.

DUPLEX CONTROL PANELS:

The control panel shall include as a minimum: circuit breakers, fuses, terminal strip, ground lug, capacitors when required, IEC rated motor starters, relays, alarm silence button mounted on enclosure, pump alternator, and internal push to run button for each pump. Controls for both pumps must be located in the same enclosure.

HIGH WATER ALARM DEVICE(s):

Each control panel shall include a visual and audible, with silence, high water alarm device. Alarm circuit shall be separately fused from motor control circuit. The visual alarm shall be a red fluted lens mounted to the top of the enclosure in such a manner as to maintain rain-proof integrity. The 90db audible device shall be capable of being de-activated by means of a NEMA 4X silence button mounted on the exterior of the enclosure. Visual alarm will remain on as long as a high water condition exists in the basin. Both visual and audio alarms will automatically reset when the high water condition subsides.

SECTION A
PAGE 4
DATE 8/16

CRANE[®]

A Crane Co. Company

PUMPS & SYSTEMS

USA: (937) 778-8947 • Canada: (905) 457-6223 • International: (937) 615-3598

STEALTH™

CONTROL PANELS

PUMP SERIES:

R = SGV Series Grinders
 XR = XSGV Series Grinders
 O = OGP & OGV Series Grinders

PANEL MODEL:

101 thru 116, Simplex
 201 thru 216, Duplex

HORSEPOWER:

1 = 1HP
 2 = 2HP
 3 = 3HP
 5 = 5HP
 7 = 7.5HP

STEALTH -R -101 -2 1E -P

VOLTAGE:

0* = 200 Volt, 1 Phase, 60Hz
 1* = 120 Volt, 1 Phase, 60Hz
 2* = 240 Volt, 1 Phase, 60Hz
 3* = 240 Volt, 3 Phase, 60Hz
 4* = 480 Volt, 3 Phase, 60Hz
 5* = 600 Volt, 3 Phase, 60Hz
 6* = 200 Volt, 3 Phase, 60Hz

MOUNTING:

* = Wall Mount (STD)
 P = Poly Drywell Mount

(*) Left Blank

(*) If "E" - ESPS-200 Compliant.
 If Blank - Requires ESPS-200 wiring modification and/or kit.

IMPORTANT!

Drywell Panels are included in the Pre-Wired Basin Package

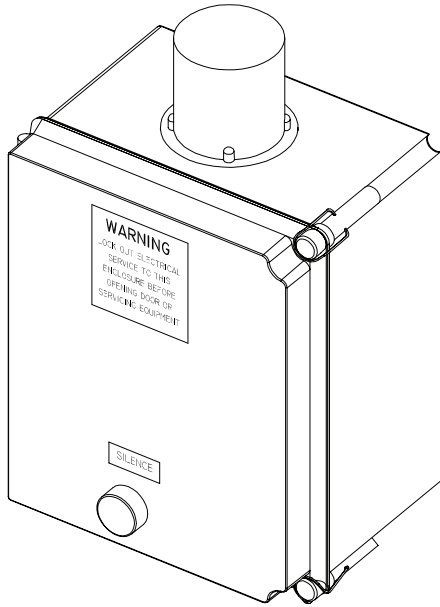
Stealth Control Panels

Simplex and Duplex, Wall Mounted Series
For SGV's, OGP, OGVF & OGVH Grinder Pumps

BARNES®

www.cranepumps.com

Control Panels & Accessories



Wall Mounted Series:

Stealth-R-100 & 200
Stealth-O-100 & 200

STEALTH™

CONTROL PANELS



File No. LR142177



Specifications:

R & O Series

Listed by Underwriters Laboratories, simplex and duplex pump control panels provide reliable grinder pump station operation and potential malfunction warning.

STANDARD FEATURES:

- UL 508A Listed
- NEMA 4X Non-metallic Enclosure
- Padlockable Latch
- Pump/Panel Circuit Breaker
- IEC Rated Motor Contactor
- Ambient Compensated Current Overload (R Panels Only, except for SGVF2022L and SGVH2022L, Overload for OGP, OGVF2022, OGVH2022, SGVF2022L, SGVH2022L, SGVF2002L and SGVH2002L Pumps located internally in the pump)
- Pump Start Pushbutton
- Individually Fused Circuits for Alarm and Control Components
- 25 Watt High Water Alarm Light with NEMA 4X Lens
- Pre-Installed Capacitor Kit (R Panels Only, Capacitor for OGP, OGVF & OGVH Pumps located internally in the pump)
- Terminal Strip and Ground Lug for Incoming Connections
- Pump Alternator (200 Series Duplex Panels Only)
- 90 db alarm horn with NEMA 4X silence pushbutton.

OPTIONAL FEATURES:

- 7 Digit Elapsed Time Meter with meter running indicator.
- Transfer Switch with easy access reverse pin portable generator receptacle and weatherproof cover.
- Seal Leak Indication with 120 volt indicator lamp and terminals for 2 leak probe wires. (R Series only)

SECTION A
PAGE 18
DATE 8/16

CRANE®

A Crane Co. Company

PUMPS & SYSTEMS

USA: (937) 778-8947 • Canada: (905) 457-6223 • International: (937) 615-3598

Control Panels

VOLTAGE PHASE	2HP, OGP, OGVF/OGVH	2HP SGVF/SGVH	3HP SGV	5HP SGV	7.5HP SGV
101 - NEMA 4X Non-metallic Enclosure, Operating Controls, Alarm Light					
240/1	O-101-22 P/N: 113441	R-101-22 P/N: 113421	R-101-32 P/N: 110111	R-101-52 P/N: 113457	N/A
200/1	N/A	R-101-27 P/N: 110147	R-101-37 P/N: 110854	R-101-57 P/N: 110860	N/A
200/3	N/A	R-101-26 P/N: 113485	R-101-36 P/N: 113488	R-101-56 P/N: 113491	N/A
240/3	N/A	R-101-23 P/N: 110371	R-101-33 P/N: 110117	R-101-53 P/N: 110135	R-101-73 P/N: 110153
480/3	N/A	R-101-24 P/N: 110377	R-101-34 P/N: 110123	R-101-54 P/N: 110141	R-101-74 P/N: 110159
102 - NEMA 4X Non-metallic Enclosure, Operating Controls, Audio Alarm w/ Push Button Silence & Alarm Light					
240/1	O-102-22 P/N: 113442	R-102-22 P/N: 113422	R-102-32 P/N: 110112	R-102-52 P/N: 110130	N/A
200/1	N/A	R-102-27 P/N: 110148	R-102-37 P/N: 110855	R-102-57 P/N: 110861	N/A
200/3	N/A	R-102-26 P/N: 113486	R-102-36 P/N: 113489	R-102-56 P/N: 113492	N/A
240/3	N/A	R-102-23 P/N: 113458	R-102-33 P/N: 110118	R-102-53 P/N: 110136	R-102-73 P/N: 110154
480/3	N/A	R-102-24 P/N: 110378	R-102-34 P/N: 110124	R-102-54 P/N: 110142	R-102-74 P/N: 110160
103 - NEMA 4X Non-metallic Enclosure, Operating Controls, Seal Leak Detection & Alarm Light					
240/1	N/A	R-103-22 P/N: 113423	N/A	N/A	N/A
104 - NEMA 4X Non-metallic Enclosure, Operating Controls, Seal Leak Detection, Audio Alarm w/Push Button Silence & Alarm Light					
240/1	N/A	R-104-22 P/N: 113424	R-104-32 P/N: 110113	R-104-52 P/N: 110131	N/A
200/1	N/A	R-104-27 P/N: 110149	R-104-37 P/N: 110856	R-104-57 P/N: 110862	N/A
200/3	N/A	R-104-26 P/N: 113487	R-104-36 P/N: 113490	R-104-56 P/N: 113493	N/A
240/3	N/A	R-104-23 P/N: 110373	R-104-33 P/N: 110119	R-104-53 P/N: 110137	R-104-73 P/N: 110155
480/3	N/A	R-104-24 P/N: 110379	R-104-34 P/N: 110125	R-104-54 P/N: 110143	R-104-74 P/N: 110161
105 - NEMA 4X Non-metallic Enclosure, Operating Controls, Generator Receptacle & Alarm Light					
240/1	O-105-22 P/N: 113443	R-105-22 P/N: 113425	R-105-3X *	R-105-5X *	R-105-7X *
106 - NEMA 4X Non-metallic Enclosure, Operating Controls, Generator Receptacle, Audio Alarm w/Push Button Silence & Alarm Light					
240/1	O-106-22 P/N: 113444	R-106-22 P/N: 113426	R-106-3X *	R-106-5X *	R-106-7X *
107 - NEMA 4X Non-metallic Enclosure, Operating Controls, Seal Leak Detection, Generator Receptacle & Alarm Light					
240/1	N/A	R-107-22 P/N: 113427	R-107-3X *	R-107-5X *	R-107-7X *

VOLTAGE PHASE	2HP, OGP, OGVF/OGVH	2HP SGVF/SGVH	3HP SGV	5HP SGV	7.5HP SGV
108 - NEMA 4X Non-metallic Enclosure, Operating Controls, Seal Leak Detection, Generator Receptacle, Audio Alarm w/Push Button Silence & Alarm Light					
240/1	N/A	R-108-22 P/N: 113428	R-108-3X *	R-108-5X *	R-108-7X *
109 - NEMA 4X Non-metallic Enclosure, Operating Controls, Alarm Light & Elapsed Time Meter					
240/1	O-109-22 P/N: 113445	R-109-22 P/N: 113429	R-109-3X *	R-109-5X *	R-109-7X *
110 - NEMA 4X Non-metallic Enclosure, Operating Controls, Audio Alarm w/ Push Button Silence, Alarm Light & Elapsed Time Meter					
240/1	O-110-22 P/N: 113446	R-110-22 P/N: 113430	R-110-3X *	R-110-5X *	R-110-7X *
111 - NEMA 4X Non-metallic Enclosure, Operating Controls, Seal Leak Detection, Alarm Light & Elapsed Time Meter					
240/1	N/A	R-111-22 P/N: 113431	R-111-3X *	R-111-5X *	R-111-7X *
112 - NEMA 4X Non-metallic Enclosure, Operating Controls, Seal Leak Detection Audio Alarm w/Push Button Silence, Alarm Light & Elapsed Time Meter					
240/1	N/A	R-112-22 P/N: 113432	R-112-3X *	R-112-5X *	R-112-7X *
113 - NEMA 4X Non-metallic Enclosure, Operating Controls, Generator Receptacle, Alarm Light & Elapsed Time Meter					
240/1	O-113-22 P/N: 113447	R-113-22 P/N: 113433	R-113-3X *	R-113-5X *	R-113-7X *
114 - NEMA 4X Non-metallic Enclosure, Operating Controls, Generator Receptacle, Audio Alarm w/Push Button Silence, Alarm Light & Elapsed Time Meter					
240/1	O-114-22 P/N: 113448	R-114-22 P/N: 113434	R-114-3X *	R-114-5X *	R-114-7X *
115 - NEMA 4X Non-metallic Enclosure, Operating Controls, Seal Leak Detection, Generator Receptacle, Alarm Light & Elapsed Time Meter					
240/1	N/A	R-115-22 P/N: 113435	R-115-3X *	R-115-5X *	R-115-7X *
116 - NEMA 4X Non-metallic Enclosure, Operating Controls, Seal Leak Detection, Generator Receptacle, Audio Alarm w/Push Button Silence, Alarm Light & Elapsed Time Meter					
240/1	N/A	R-116-22 P/N: 11343	R-116-3X *	R-116-5X *	R-116-7X *
IMPORTANT! Control panel sizes and options will vary depending on contract specifications. When ordering control panels, use the Nomenclature Chart on page 1 for Model designation. (*) Consult factory for availability					

Stealth Control Panels

Wall Mount Series, R & O, Duplex for
OGP, OGVF, OGVH & SGV's



www.cranepumps.com

Control Panels

VOLTAGE PHASE	2HP, OGP, OGVF/OGVH	2HP SGVF/SGVH	3HP SGV	5HP SGV	7.5HP SGV
201 - NEMA 4X Non-metallic Enclosure, Operating Controls, Alarm Light					
240/1	O-201-22E P/N: 122283	R-201-22E P/N: 122291	R-201-32E P/N: 122320	R-201-52E P/N: 122335	N/A
200/1	N/A	R-201-20E P/N: 122307	R-201-30E P/N: 122319	R-201-50E P/N: 122334	N/A
200/3	N/A	R-201-26E P/N: 122308	R-201-36E P/N: 122321	R-201-56E P/N: 122336	N/A
240/3	N/A	R-201-23E P/N: 122309	R-201-33E P/N: 122322	R-201-53E P/N: 122337	R-201-73E P/N: 122349
480/3	N/A	R-201-24E P/N: 122310	R-201-34E P/N: 122323	R-201-54E P/N: 122338	R-201-74E P/N: 122350
202 - NEMA 4X Non-metallic Enclosure, Operating Controls, Audio Alarm w/ Push Button Silence & Alarm Light					
240/1	O-202-22E P/N: 122284	R-202-22E P/N: 122292	R-202-32E P/N: 122325	R-202-52E P/N: 122340	N/A
200/1	N/A	R-202-20E P/N: 122311	R-202-30E P/N: 122324	R-202-50E P/N: 122339	N/A
200/3	N/A	R-202-26E P/N: 122312	R-202-36E P/N: 122326	R-202-56E P/N: 122341	N/A
240/3	N/A	R-202-23E P/N: 122313	R-202-33E P/N: 122327	R-202-53E P/N: 122342	R-202-73E P/N: 122351
480/3	N/A	R-202-24E P/N: 122314	R-202-34E P/N: 122328	R-202-54E P/N: 122343	R-202-74E P/N: 122352
203 - NEMA 4X Non-metallic Enclosure, Operating Controls, Seal Leak Detection & Alarm Light					
240/1	N/A	R-203-22E P/N: 122293	N/A	N/A	N/A
204 - NEMA 4X Non-metallic Enclosure, Operating Controls, Seal Leak Detection, Audio Alarm w/Push Button Silence & Alarm Light					
240/1	N/A	R-204-22E P/N: 122294	R-204-32E P/N: 122330	R-204-52E P/N: 122345	N/A
200/1	N/A	R-204-20E P/N: 122315	R-204-30E P/N: 122329	R-204-50E P/N: 122344	N/A
200/3	N/A	R-204-26E P/N: 122316	R-204-36E P/N: 122331	R-204-56E P/N: 122346	N/A
240/3	N/A	R-204-23E P/N: 122317	R-204-33E P/N: 122332	R-204-53E P/N: 122347	R-204-73E P/N: 122353
480/3	N/A	R-204-24E P/N: 122318	R-204-34E P/N: 122333	R-204-54E P/N: 122348	R-204-74E P/N: 122354
205 - NEMA 4X Non-metallic Enclosure, Operating Controls, Generator Receptacle & Alarm Light					
240/1	O-205-22E P/N: 122285	R-205-22E P/N: 122295	R-205-3X *	R-205-5X *	R-205-7X *
206 - NEMA 4X Non-metallic Enclosure, Operating Controls, Generator Receptacle, Audio Alarm w/Push Button Silence & Alarm Light					
240/1	O-206-22E P/N: 122286	R-206-22E P/N: 122296	R-206-3X *	R-206-5X *	R-206-7X *
207 - NEMA 4X Non-metallic Enclosure, Operating Controls, Seal Leak Detection, Generator Receptacle & Alarm Light					
240/1	N/A	R-207-22E P/N: 122297	R-207-3X *	R-207-5X *	R-207-7X *

VOLTAGE PHASE	2HP, OGP, OGVF/OGVH	2HP SGVF/SGVH	3HP SGV	5HP SGV	7.5HP SGV
208 - NEMA 4X Non-metallic Enclosure, Operating Controls, Seal Leak Detection, Generator Receptacle, Audio Alarm w/Push Button Silence & Alarm Light					
240/1	N/A	R-208-22E P/N: 122298	R-208-3X *	R-208-5X *	R-208-7X *
209 - NEMA 4X Non-metallic Enclosure, Operating Controls, Alarm Light & Elapsed Time Meter					
240/1	O-209-22E P/N: 122287	R-209-22E P/N: 122299	R-209-3X *	R-209-5X *	R-209-7X *
210 - NEMA 4X Non-metallic Enclosure, Operating Controls, Audio Alarm w/ Push Button Silence, Alarm Light & Elapsed Time Meter					
240/1	O-210-22E P/N: 122288	R-210-22E P/N: 122300	R-210-3X *	R-210-5X *	R-210-7X *
211 - NEMA 4X Non-metallic Enclosure, Operating Controls, Seal Leak Detection, Alarm Light & Elapsed Time Meter					
240/1	N/A	R-211-22E P/N: 122301	R-211-3X *	R-211-5X *	R-211-7X *
212 - NEMA 4X Non-metallic Enclosure, Operating Controls, Seal Leak Detection Audio Alarm w/Push Button Silence, Alarm Light & Elapsed Time Meter					
240/1	N/A	R-212-22E P/N: 122302	R-212-3X *	R-212-5X *	R-212-7X *
213 - NEMA 4X Non-metallic Enclosure, Operating Controls, Generator Receptacle, Alarm Light & Elapsed Time Meter					
240/1	O-213-22E P/N: 122289	R-213-22E P/N: 122303	R-213-3X *	R-213-5X *	R-213-7X *
214 - NEMA 4X Non-metallic Enclosure, Operating Controls, Generator Receptacle, Audio Alarm w/Push Button Silence, Alarm Light & Elapsed Time Meter					
240/1	O-214-22E P/N: 122290	R-214-22E P/N: 122304	R-214-3X *	R-214-5X *	R-214-7X *
215 - NEMA 4X Non-metallic Enclosure, Operating Controls, Seal Leak Detection, Generator Receptacle, Alarm Light & Elapsed Time Meter					
240/1	N/A	R-215-22E P/N: 122305	R-215-3X *	R-215-5X *	R-215-7X *
216 - NEMA 4X Non-metallic Enclosure, Operating Controls, Seal Leak Detection, Generator Receptacle, Audio Alarm w/Push Button Silence, Alarm Light & Elapsed Time Meter					
240/1	N/A	R-216-22E P/N: 122306	R-216-3X *	R-216-5X *	R-216-7X *
IMPORTANT! Control panel sizes and options will vary depending on contract specifications. When ordering control panels, use the Nomenclature Chart on page 1 for Model designation. (*) Consult factory for availability					

SECTION A
PAGE 20
DATE 8/16



PUMPS & SYSTEMS

USA: (937) 778-8947 • Canada: (905) 457-6223 • International: (937) 615-3598

Specifications:

XR Series

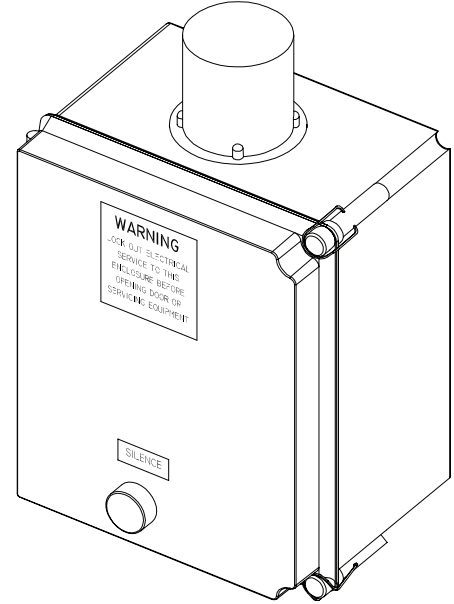
Listed by Underwriters Laboratories, simplex and duplex pump control panels provide reliable grinder pump station operation and potential malfunction warning.

STANDARD FEATURES:

- UL 508A Listed
- NEMA 4X Non-metallic Enclosure
- Padlockable Latch
- Pump/Panel Circuit Breaker
- IEC Rated Motor Contactor
- Ambient Compensated Current Overload
- Pump Start Pushbutton
- Individually Fused Circuits for Alarm and Control Components
- 25 Watt High Water Alarm Light with NEMA 4X Lens
- Pre-Installed Capacitor Kit
- Terminal Strip and Ground Lug for Incoming Connections
- Pump Alternator (200 Series Duplex Panels Only)
- Intrinsic Barriers
- 90 db alarm horn with NEMA 4X silence pushbutton.

OPTIONAL FEATURES:

- 7 Digit Elapsed Time Meter with meter running indicator.
- Transfer Switch with easy access reverse pin portable generator receptacle and weatherproof cover.
- Seal Leak Indication with 120 volt indicator lamp and terminals for 2 leak probe wires.



Wall Mounted Series:
Stealth-XR-100 & 200

STEALTH™
CONTROL PANELS



File No. LR142177



Stealth Control Panels

Simplex and Duplex, Wall Mounted Series
XR Series for XSGV Grinder Pumps



www.cranepumps.com

Control Panels

SIMPLEX				
VOLTAGE PHASE	2HP XSGV	3HP XSGV	5HP XSGV	7.5HP XSGV
104 - NEMA 4X Non-metallic Enclosure, Operating Controls, Seal Leak Detection, Audio Alarm w/Push Button Silence & Alarm Light				
240/1	XR-104-22 P/N: 111021	XR-104-32 P/N: 111025	XR-104-52 P/N: 111029	N/A
200/1	N/A	XR-104-37 P/N: 111024	XR-104-57 P/N: 111028	N/A
240/3	XR-104-23 P/N: 111022	XR-104-33 P/N: 111026	XR-104-53 P/N: 111030	XR-104-73 P/N: 111032
480/3	XR-104-24 P/N: 111023	XR-104-34 P/N: 111027	XR-104-54 P/N: 111031	XR-104-74 P/N: 111033
IMPORTANT! Control panel sizes and options will vary depending on contract specifications. When ordering control panels, use the Nomenclature Chart on page 13 for Model designation. (*) Consult factory for availability				

DUPLEX				
VOLTAGE PHASE	2HP XSGV	3HP XSGV	5HP XSGV	7.5HP XSGV
204 - NEMA 4X Non-metallic Enclosure, Operating Controls, Seal Leak Detection, Audio Alarm w/Push Button Silence & Alarm Light				
240/1	XR-204-22 P/N: 113475	XR-204-32 P/N: 111038	XR-204-52 P/N: 111042	N/A
200/1	N/A	XR-204-37 P/N: 111037	XR-204-57 P/N: 111041	N/A
240/3	XR-204-23 P/N: 111035	XR-204-33 P/N: 111039	XR-204-53 P/N: 111043	XR-204-73 P/N: 111045
480/3	XR-204-24 P/N: 111036	XR-204-34 P/N: 111040	XR-204-54 P/N: 111044	XR-204-74 P/N: 111046
IMPORTANT! Control panel sizes and options will vary depending on contract specifications. When ordering control panels, use the Nomenclature Chart on page 13 for Model designation. (*) Consult factory for availability				

SECTION A
PAGE 22
DATE 8/16



PUMPS & SYSTEMS

USA: (937) 778-8947 • Canada: (905) 457-6223 • International: (937) 615-3598

Specifications:

R & O Series

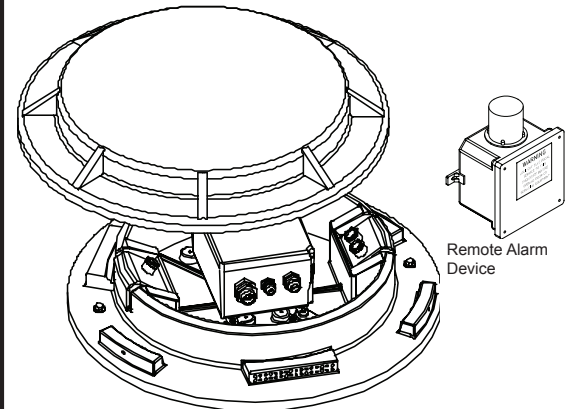
Listed by Underwriters Laboratories, simplex and duplex pump control panels provide reliable grinder pump station operation and potential malfunction warning.

STANDARD FEATURES:

- UL 508A Listed
- NEMA 4X Non-metallic Enclosure
- Padlockable Latch
- Pump/Panel Circuit Breaker
- IEC Rated Motor Contactor
- Ambient Compensated Current Overload (R Panels Only, except for SGVF2022L, SGVH2022L, SGVF2002L & SGVH2002L Overload for OGP, OGVF2022, OGVH2022, SGVF2022L, SGVH2022L, SGVF2002L & SGVH2002L Pumps located internally in the pump)
- Pump Start Pushbutton
- Individually Fused Circuits for Alarm and Control Components
- Weatherproof Alarm Box Containing Alarm Light and 90 db alarm Horn with NEMA 4X Silence Pushbutton and Suitable for Remote Mounting. Provided with Drywell Mounted Control Panels.
- Pre-Installed Capacitor Kit (R Panels Only, Capacitor for OGP, OGVF and OGVH Pumps located internally in the pump)
- Terminal Strip and Ground Lug for Incoming Connections

OPTIONAL FEATURES:

- 7 Digit Elapsed Time Meter with meter running indicator.
- Transfer Switch with easy access reverse pin portable generator receptacle and weatherproof cover.
- Seal Leak Indication with 120 volt indicator lamp and terminals for 2 leak probe wires. (R Series only)



Drywell Mount* Series:

Stealth-R-100-P
Stealth-O-100-P

(* Drywell **NOT** included with panel.

STEALTH™

CONTROL PANELS

* IMPORTANT!

This page is for information use ONLY.
Drywell Panels and Drywells are included in the Pre-Wired basin package. Drywells and Drywell/panels assemblies **ARE NOT** sold separately.



File No. LR142177

Stealth Control Panels

Simplex, Drywell Mount Series
For 2HP SGV's, OGP & OGV Grinder Pumps

BARNES®

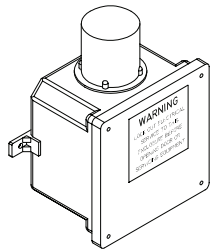
www.cranepumps.com

Control Panels

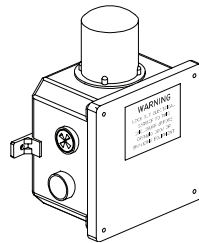
VOLTAGE PHASE	2HP, OGP, OGVF/OGVH	2HP SGVF/SGVH	REMOTE ALARM
101 - NEMA 4X Non-metallic Enclosure, Operating Controls with Remote Alarm Light			
240/1	O-101/2-22-P P/N: 113449	R-101/2-22-P P/N: 113437	Remote Alarm P/N: 102764
102 - NEMA 4X Non-metallic Enclosure, Operating Controls with Remote Audio Alarm w/Push Button Silence & Alarm Light			
240/1	O-101/2-22-P P/N: 113449	R-101/2-22-P P/N: 113437	Remote Alarm P/N: 102765A
103 - NEMA 4X Non-metallic Enclosure, Operating Controls, Seal Leak Detection with Remote Alarm Light			
240/1	N/A	R-103/4-22-P P/N: 113438	Remote Alarm P/N: 102764
104 - NEMA 4X Non-metallic Enclosure, Operating Controls, Seal Leak Detection, with Remote Audio Alarm w/Push Button Silence & Alarm Light			
240/1	N/A	R-103/4-22-P P/N: 113438	Remote Alarm P/N: 102765A
109 - NEMA 4X Non-metallic Enclosure, Operating Controls, Elapsed Time Meter with Remote Alarm Light			
240/1	O-109/10-22-P P/N: 113450	R-109/10-22-P P/N: 113439	Remote Alarm P/N: 1102764

VOLTAGE PHASE	2HP, OGP, OGVF/OGVH	2HP SGVF/SGVH	REMOTE ALARM
110 - NEMA 4X Non-metallic Enclosure, Operating Controls & Elapsed Time Meter with Remote Audio Alarm w/Push Button Silence, Alarm Light			
240/1	O-109/10-22-P P/N: 113450	R-109/10-22-P P/N: 113439	Remote Alarm P/N: 102765A
111 - NEMA 4X Non-metallic Enclosure, Operating Controls, Seal Leak Detection & Elapsed Time Meter with Remote Alarm Light			
240/1	N/A	R-111/12-22-P P/N: 113440	Remote Alarm P/N: 102764
112 - NEMA 4X Non-metallic Enclosure, Operating Controls, Seal Leak Detection & Elapsed Time Meter with Remote Audio Alarm w/Push Button Silence, Alarm Light			
240/1	N/A	R-111/12-22-P P/N: 113440	Remote Alarm P/N: 102765A
<p>IMPORTANT! Control panel sizes and options will vary depending on contract specifications. When ordering control panels, use the Nomenclature Chart on page 13 for Model designation. (*) Consult factory for availability</p> <p>See below for proper Remote Alarm Box. "R" panels used with SGVF, SGVH grinder pumps. "O" panels used with OGP, OGVF, OGVH grinder pumps.</p>			

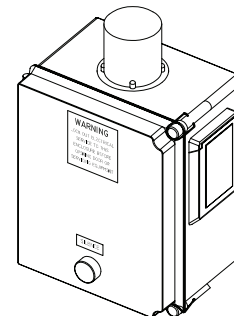
Remote Alarms (For use with Drywell Panels) (Panel and Remote Alarm Ordered Separately)



NEMA 4X Enclosure with Red Alarm Light
P/N: 102764



NEMA 4X Enclosure with Red Alarm Light and Audio Alarm Horn with Silence Push Button.
P/N: 102765A



NEMA 4X Enclosure with Red Alarm Light, Audio Alarm with Silence and Generator Receptacle.
P/N For OGVF/OGVH, OGP: 111666
P/N For SGVF/SGVH: 111583

SECTION A
PAGE 24
DATE 8/16

CRANE®

PUMPS & SYSTEMS

USA: (937) 778-8947 • Canada: (905) 457-6223 • International: (937) 615-3598