

# Alarm / Disconnect Panel

1500 Series, Simplex  
for Automatic Pumps

# BARNES®

www.cranepumps.com

## Control Panels & Accessories

### Specifications:

Listed by Underwriters Laboratories, simplex pump alarm panel used with the ESPS-150 Level Control, UltraCAP<sup>2</sup> Basin Packages, or any other station using a OGP or OGV Series pump with a automatic level control.

#### Model 1500 P/N: 116742

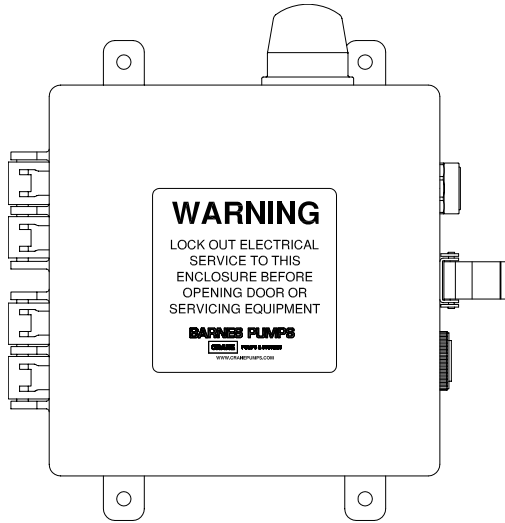
- 90 db Alarm Horn with pushbutton silence
- High Water Alarm Light
- 25 Amp pump circuit breaker and 10 Amp alarm circuit breaker
- NEMA 4X Enclosure
- Non-Metallic Enclosure
- Padlockable latch(s)
- 240 Volt single phase service

#### Model 1550 P/N: 111666

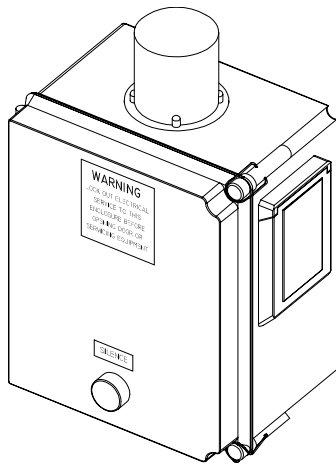
Includes the same base standard features as the 1500 series  
Also Includes:

- Generator receptacle with automatic transfer switch
- NEMA code L14-30P Flanged Locking Receptacle
- 125/250 Volt, 3 Pole, 4 Wire
- 25 Amp pump circuit breaker and 3 Amp alarm circuit breaker

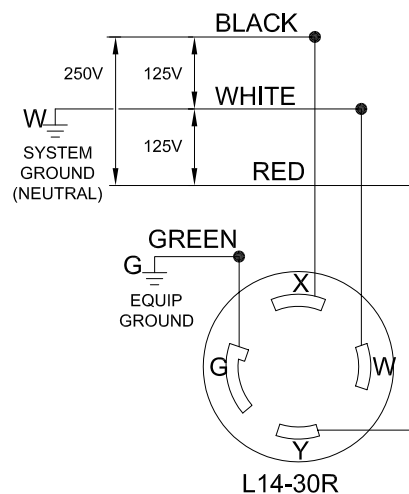
**OPTIONAL EQUIPMENT.....** 30 Ft. Generator Connection Cord, 12/4 SOW cord with NEMA L14-30R Locking Connector, Factory Installed and Tested P/N: 119962XC



**Model: 1500**  
**Alarm/Disconnect Panel:**  
P/N: 116742



**Model: 1550**  
**Alarm/Disconnect Panel with**  
**Generator Receptacle:**  
P/N: 111666



Model: 1500  
File No. E241592  
Model: 1550  
File No. LR142177

SECTION A  
PAGE 32  
DATE 1/06

## CRANE®

A Crane Co. Company

## PUMPS & SYSTEMS

USA: (937) 778-8947 • Canada: (905) 457-6223 • International: (937) 615-3598