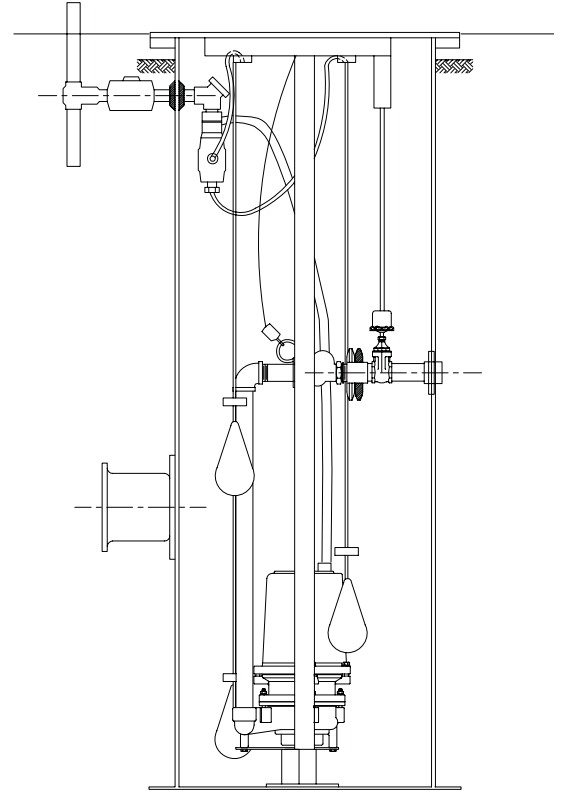


Specifications:

LOWER BRACKET.....Stainless Steel

HARDWAREStainless Steel

Used to install a BARNES 3, 5 & 7.5HP SGV Grinder pump to a Hydromatic SPGF Rail System utilizing the existing upper guide bracket, chain and ball check valve with sealing diaphragm.



**2" NPT Hydromatic Adapter
P/N: 085480**

DESCRIPTION:

THE BREAK AWAY FITTING IS DESIGNED TO ALLOW THE SUBMERSIBLE PUMP TO BE INSTALLED OR REMOVED WITHOUT REQUIRING PERSONNEL TO ENTER THE WET WELL.

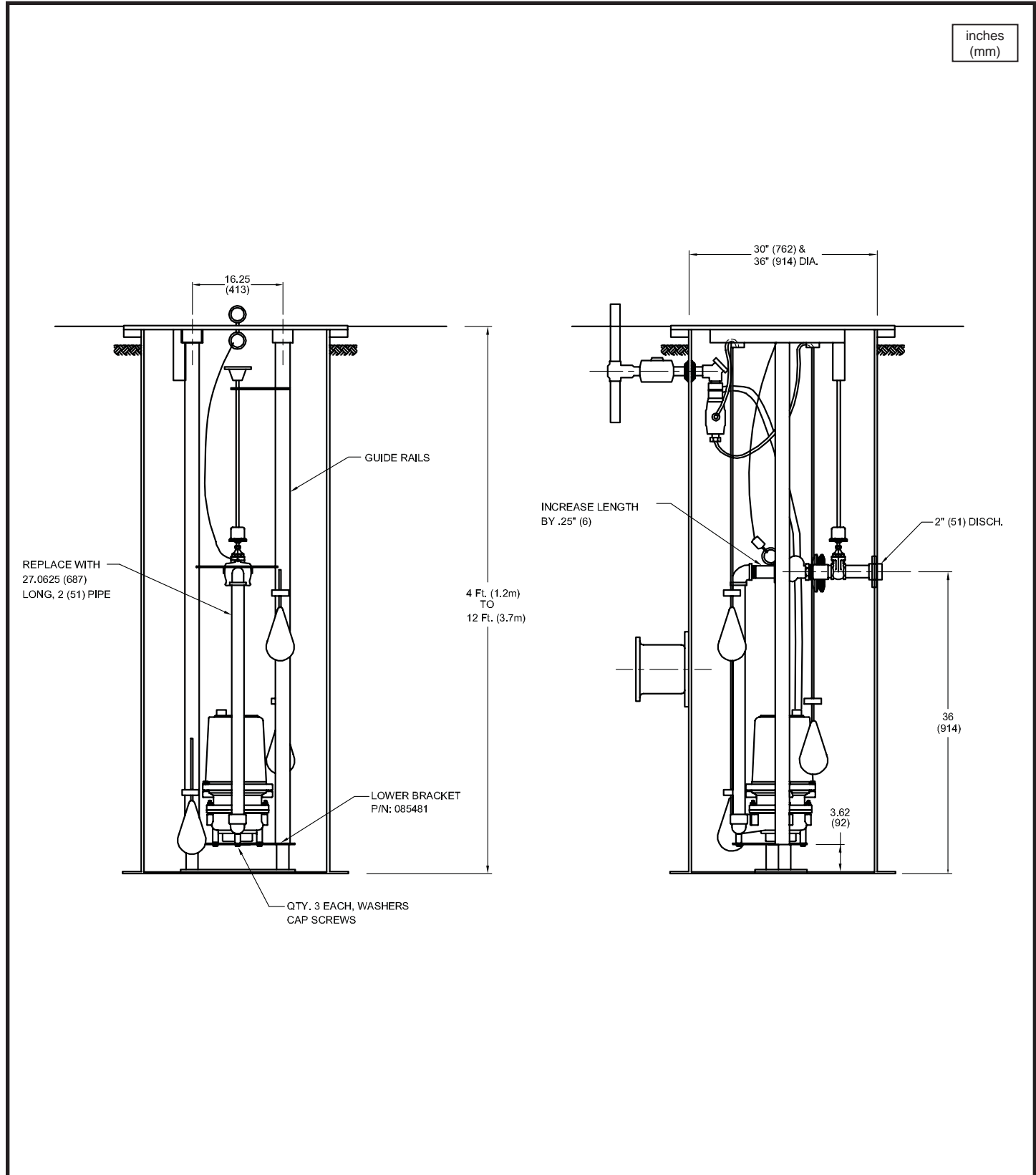
2" NPT Hydromatic Adapter

3, 5 & 7.5 HP SGV Grinder Pump To
Hydromatic SPGF, Break Away Fitting

BARNES®

www.cranepumps.com

Break Away Fittings



SECTION B
PAGE 12
DATE 4/05

CRANE®

A Crane Co. Company

PUMPS & SYSTEMS

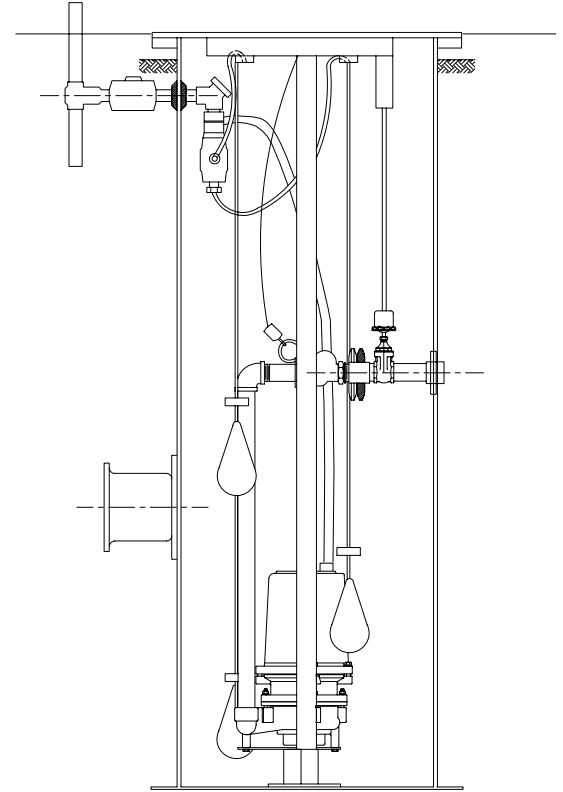
USA: (937) 778-8947 • Canada: (905) 457-6223 • International: (937) 615-3598

Specifications:

LOWER BRACKET.....Stainless Steel

HARDWAREStainless Steel

Used to install a BARNES 3, 5 & 7.5HP SGV Grinder pump to a Hydromatic SPGH Rail System utilizing the existing upper guide bracket, chain and ball check valve with sealing diaphragm.



2" NPT Hydromatic Adapter
P/N: 085059

DESCRIPTION:

THE BREAK AWAY FITTING IS DESIGNED TO ALLOW THE SUBMERSIBLE PUMP TO BE INSTALLED OR REMOVED WITHOUT REQUIRING PERSONNEL TO ENTER THE WET WELL.

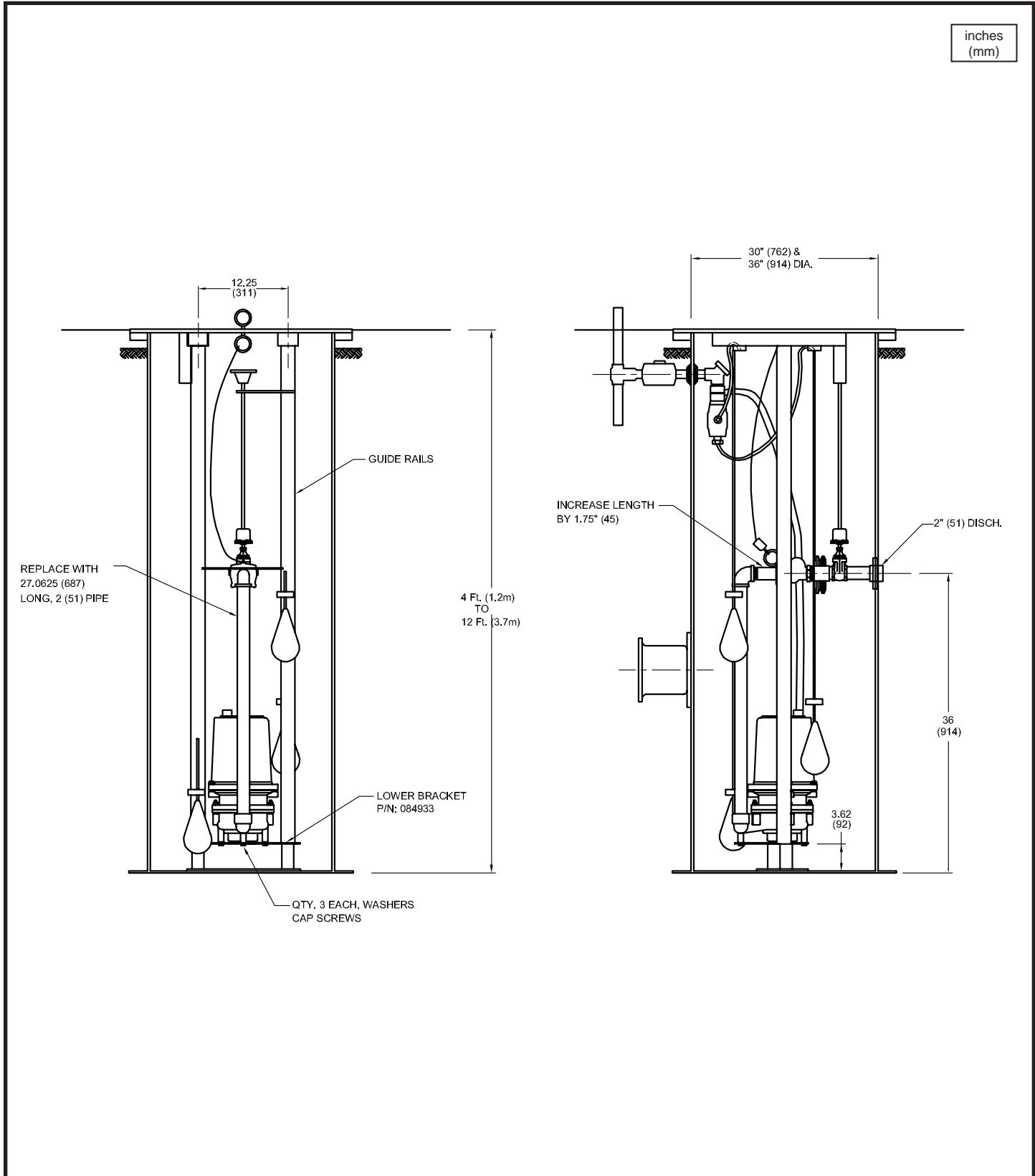
2" NPT Hydromatic Adapter

3, 5 & 7.5 HP SGV Grinder Pump To
Hydromatic SPGH, Break Away Fitting

BARNES®

www.cranepumps.com

Break Away Fittings



inches
(mm)

SECTION B
PAGE 14
DATE 4/05

CRANE®

A Crane Co. Company

PUMPS & SYSTEMS

USA: (937) 778-8947 • Canada: (905) 457-6223 • International: (937) 615-3598