

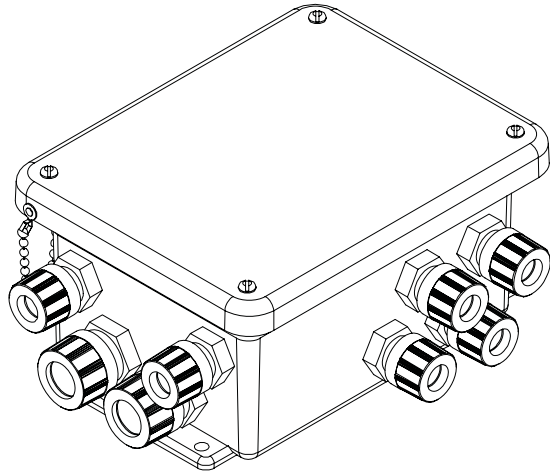
# Junction Box

NEMA 6, Duplex, SGV & OGV Grinders  
For use with Floats or FloatTREE & Direct Burial Cable

# BARNES®

www.cranepumps.com

## Basins & Accessories



**Junction Box, NEMA 6, Duplex**  
**P/N's: 109301, 109302, 109305,**  
**109306, 095692, 105383**

## Specifications:

The Duplex Junction Box and all connections have a NEMA 6 Rating to protect against occasional submersion and is used in conjunction with U.L. listed water-tight connectors suitable for use with U.L. listed Direct Burial Cable.

**BOX & COVER** ..... Constructed of Impact-Resistant, Nonconductive, Fiberglass Reinforced Polyester with Stainless Steel Screws  
**GASKET** ..... Neoprene  
**CHAIN** ..... Stainless Steel  
**CORD GRIPS** ..... Non-Metallic, Valox with Neoprene type Grommet  
**RECOGNITION** ..... UL Listed 508

PART No.	DESCRIPTION
109301	For SGV*2022L & OGV/OGP with FloatTREE/ESPS-200
109302	For OGP & OGV*2022 with Indiv. Floats
109305	SGV w/sensor (no 5HP/1PH) with FloatTREE/ESPS-200
109306	SGV w/sensor (no 5HP/1PH) with Indiv. Floats
095692	For 5HP/1PH SGV with Indiv. Floats
105383	For 5HP/1PH SGV with FloatTREE/ESPS-200



File No. E151564

SECTION C  
PAGE 40  
DATE 5/09

**CRANE**  
A Crane Co. Company

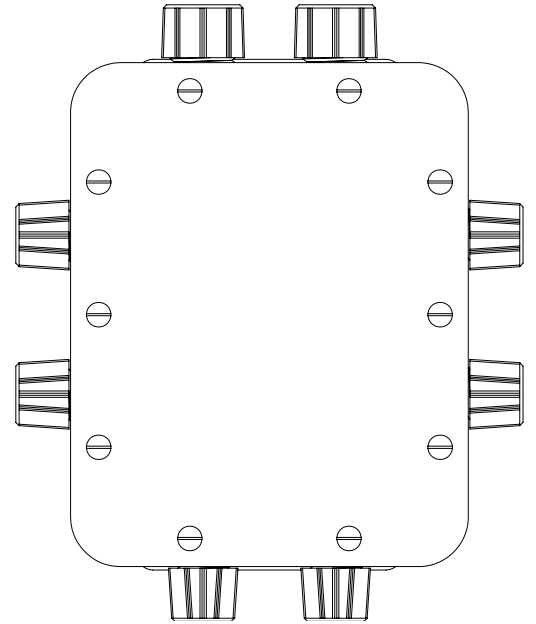
**PUMPS & SYSTEMS**

USA: (937) 778-8947 • Canada: (905) 457-6223 • International: (937) 615-3598

### Specifications:

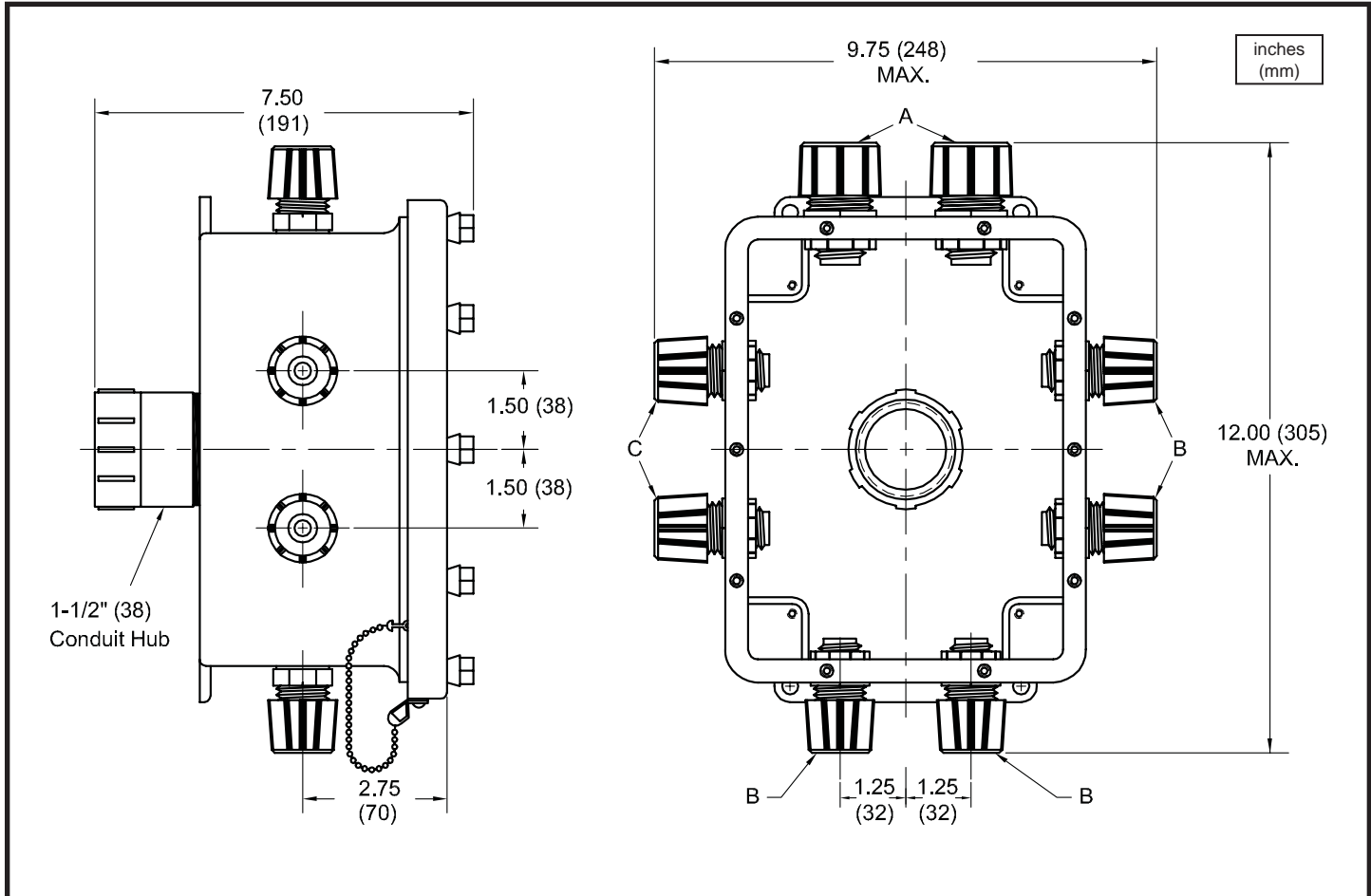
Duplex Junction Box and all connections have a NEMA 4X Rating to protect against accidental submersion, for combining all pump and level control cables. The box and all connections are water-tight and are capable of withstanding an external liquid pressure of 10 PSI. Included are individual corrosion resistant and liquid-tight cable connectors constructed of thermoplastic with neoprene bushing and sealing ring.

<b>BOX</b> .....	Constructed of self-extinguishing molded fiberglass with a minimum wall thickness of 3/16 (5mm)
<b>COVER</b> .....	8 (203) x 6 (152) x 4.37 (111) Attached with captive stainless steel fasteners with fiberglass encapsulated heads
<b>GASKET</b> .....	Neoprene
<b>CHAIN</b> .....	Stainless Steel
<b>CORD GRIPS</b> .....	Non-Metallic, Valox with Neoprene type Grommet
<b>RECOGNITION</b> .....	UL Listed 508



**Junction Box, NEMA 4X, Duplex  
P/N's: 076622, 076627, 076628,  
078158 & 085808**

**Basins & Accessories**



PART NO.	PUMP CABLE QTY. 2 "A"	FLOAT CABLE QTY. 4 "B"	CONTROL CABLE QTY. 2 "C"
076622	.625 (16) - .750 (19)	.250 (6) - .312 (8)	.437 (11) - .500 (13) *
076627	.625 (16) - .750 (19) *	.250 (6) - .312 (8)	Not Used
076628	.750 (19) - .875 (22)	.250 (6) - .312 (8)	.437 (11) - .500 (13)
078158	.375 (10) - .437 (11)	.250 (6) - .312 (8)	Not Used
085808	.500 (13) - .625 (16)	.250 (6) - .312 (8)	.437 (11) - .500 (13)

(\* Extra grommet and washer supplied for range .500 (13mm) to .625 (16mm).

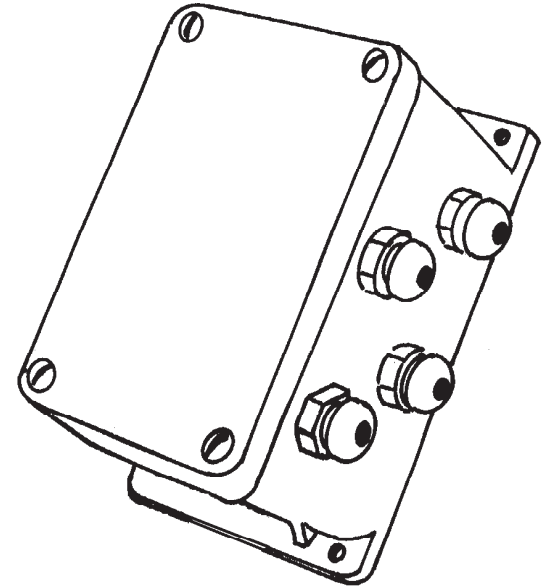
### Specifications:

NEMA 4X watertight junction box for "INTRINSIC" level control cables in Class I, Groups C & D, Division 1 Locations, used in conjunction with a NEMA 7 junction box for pump and control cables. The box and all connections are watertight and are capable of withstanding an external liquid pressure of 10 PSI. Included are individual corrosion resistant and liquid-tight cable connectors constructed of thermoplastic with neoprene bushing and sealing ring.

- BOX**..... Constructed of a flame retardant ultra-violet resistant, foam Noryl, with minimum wall thickness of 1/4" (6mm), inside Dim.  
5 (127mm) x 3.5 (89mm) x 3 (76mm) molded mounting feet and brass inserts
- COVER**..... Hinged, with four 304 stainless steel screws. Hot Stamped with;  
"INTRINSIC SAFETY WIRING"
- GASKET**..... Cellulose-NBR blend
- CORD GRIPS**..... Non-Metallic, Valox with Neoprene type Grommet
- RECOGNITION** ..... UL Listed 508

#### IMPORTANT !

This Junction Box **MUST** be used with a conduit Sealing Fitting.



**NEMA 4X, Simplex & Duplex  
P/N's: 087551 & 087552**



File No. E151564

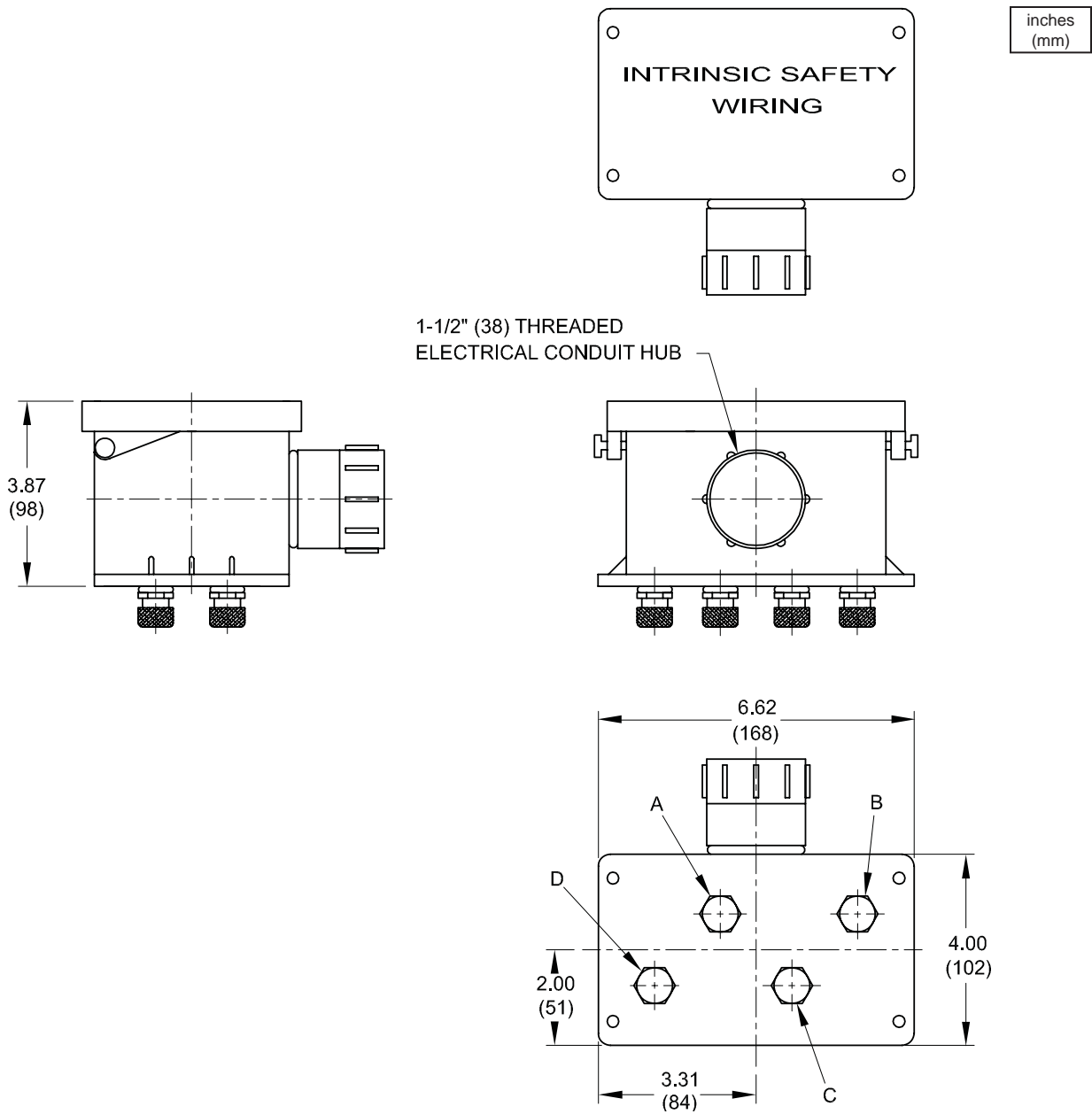
# Junction Box

NEMA 4X, Simplex & Duplex for Intrinsically Safe Level Controls in Class I, Groups C & D, Division 1 Locations

# BARNES®

www.cranepumps.com

## Basins & Accessories



PART NO.	DESCRIPTION	FLOAT "A"	FLOAT "B"	FLOAT "C"	FLOAT "D"
087551	Simplex	.250 (6) - .312 (8)	.250 (6) - .312 (8)	.250 (6) - .312 (8)	Not Used
087552	Duplex	.250 (6) - .312 (8)	.250 (6) - .312 (8)	.250 (6) - .312 (8)	.250 (6) - .312 (8)

**IMPORTANT!**

These junction boxes are used in conjunction with a NEMA 7 junction box for pump and control cords. This Junction Box **MUST** be used with a conduit Sealing Fitting.

SECTION C  
PAGE 44  
DATE 4/05

**CRANE**  
A Crane Co. Company

PUMPS & SYSTEMS

USA: (937) 778-8947 • Canada: (905) 457-6223 • International: (937) 615-3598