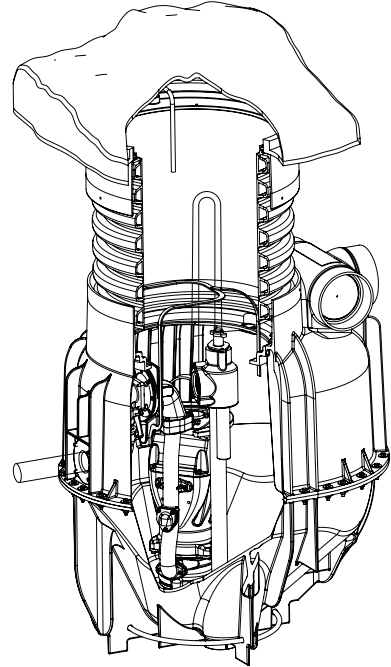


Specifications:

inches
(mm)

BASIN	Engineered Polypropylene Copolymer, 2-piece construction, factory assembled with preformed corrosion resistant rebar installed. Includes POD for pump support and orientation
RISER	HDPE 18" Dia. (457mm) corrugated drainpipe, day-of-installation adjustment sets basin depth [limit 9ft. 6inches (2.9m) to bottom of basin]
DISCHARGE OUTLET	1-1/4" NPT Flexible, stainless steel. Connects to a basin mounted bronze tank receiver.
INLET	3 positions, 4" (Sch 40/80 or SDR35) Flexible Inlet Flange (For Field Installation)
COVER	Rock-Shaped Polyethylene Cover, interlocking with Riser Adapter, vented or unvented. Keyed lock included. Load rating of 150 lb per sq ft.
ALARM BOX	Model 1500 Alarm Panel, NEMA 4X Non-metallic Enclosure with Keyed Lock, Alarm Light, Alarm Horn w/ Push Button, Pump and Alarm Circuit Breakers
DIRECT BURIAL CABLE	12/5 Type TC, STOOV Round U.L. Listed. 30ft (9m) length standard
MOVEABLE DISCHARGE FITTING w/ CHECK VALVE: (Removed with Pump)	
<i>Housing</i>	Powder Coated Cast Iron
<i>Diaphragm</i>	Fiber Reinforced Neoprene
<i>Flapper</i>	Fiber Reinforced Nitrile
<i>Size</i>	1-1/4" Full Port
<i>Valve Seat</i>	Bronze
BALL VALVE:	Toggle actuated via polypropylene harness from top side, removable without basin entry
<i>Material</i>	Bronze, with Stainless Steel ball & stem, and Teflon seats
<i>Size</i>	1-1/4" Full Port
LIFTING HARNESS	1/8" x 3/4" Polypropylene (POD). 1/2" Dia. Polypropylene (PUMP) Breaking strength 3750 lbs.
HARDWARE	300 Series Stainless Steel
LEVEL CONTROL	Direct control of pump motor with alarm
<i>ESPS™</i>	Environmentally sealed pressure switch with CPVC housing, HNBR diaphragm, custom molded quick connect for sealing and strain relief.
<i>SensaPRO</i>	Mechanical Level Control with custom molded quick connect for sealing and strain relief.
ANTI-SIPHON	Integral to cast iron motor housing.
<i>Flapper</i>	Fiber Reinforced Nitrile
<i>Seat</i>	Valox with stainless steel rivet
PUMP	ZOGP-CE, 208-240 Volt, 1 Phase
OPTIONS	Direct Burial Cable lengths, Rock Cover Vented or Flood Plain, Flat Cover Vented or Flood Plain, Depth, Model 1550 Alarm Panel w/ Generator Receptacle



EcoTRAN™ System
For use with ZOGP, 1/4" NPT

- Vented 52"-74" Depth
- Vented 76"-114" Depth
- Flood Plain 52"-74" Depth
- Flood Plain 76"-114" Depth



This product may be covered by one or more of the following patents and other patent(s) pending:
US Patent 7,357,341 & US Patent 7,578,657



WARNING:
CANCER AND REPRODUCTIVE HARM -
WWW.P65WARNINGS.CA.GOV



NSF
CERTIFIED TO
NSF / ANSI 46

NOTE:
BASIN ASSEMBLIES
WITH SensaPRO
ARE NOT THIRD
PART LISTED

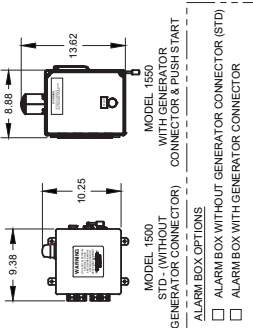
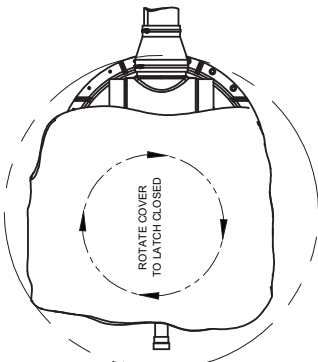
Short Set EcoTRAN Package				
Direct Burial Cable Length	Vented Cover		Non-Vented Cover	
	Standard Alarm Box	Alarm with Generator Receptacle	Standard Alarm Box	Alarm with Generator Receptacle
	Part No.	Part No.	Part No.	Part No.
30 Ft.	122848Z	122854Z	122860Z	122866Z
50 Ft.	122849Z	122855Z	122861Z	122867Z
100 Ft.	122850Z	122856Z	122862Z	122868Z

Long Set EcoTRAN Package				
Direct Burial Cable	Vented Cover		Non-Vented Cover	
	Standard Alarm Box	Alarm with Generator Receptacle	Standard Alarm Box	Alarm with Generator Receptacle
	Part No.	Part No.	Part No.	Part No.
30 Ft.	124146Z	124152Z	124158Z	124164Z
50 Ft.	124147Z	124153Z	124159Z	124165Z
100 Ft.	124148Z	124154Z	124160Z	124166Z

NOTES:

- * Add FC suffix to part number for Flat Cover Flood Plain
- Add FCV suffix to part number for Flat Cover Vented
- Add P suffix to part number for SensaPRO Mechanical Level Control

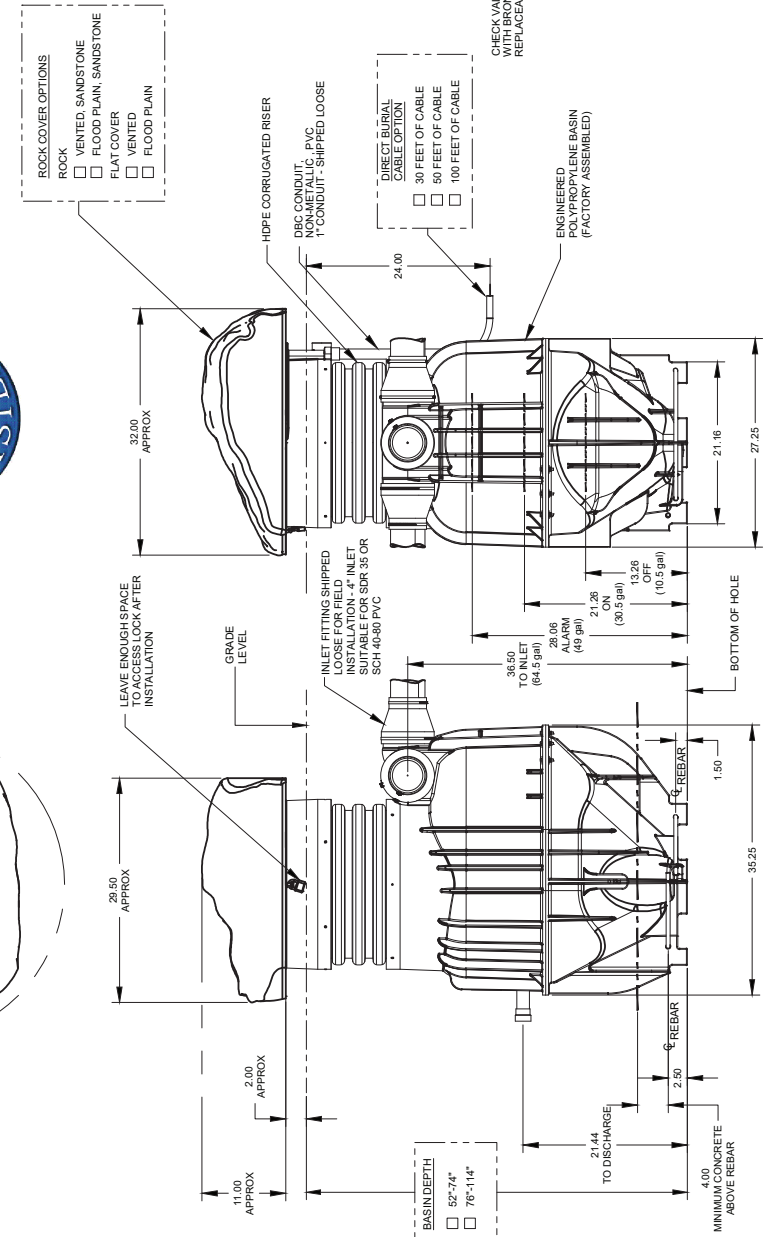
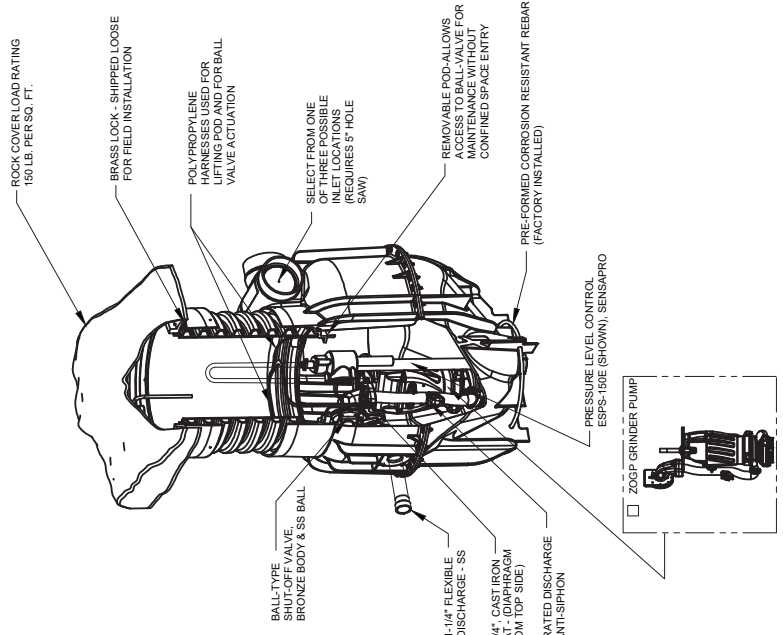
<p>1. Depth</p> <ul style="list-style-type: none"> <input type="checkbox"/> 52"-74" (1.3m-1.8m) Vented <input type="checkbox"/> 76"-114" (1.9m-2.9m) Vented <input type="checkbox"/> 52"-74" (1.3m-1.8m) Flood Plain <input type="checkbox"/> 76"-114" (1.9m-2.9m) Flood Plain <p>2. Pump Type (240V / 1 Phase)</p> <ul style="list-style-type: none"> <input type="checkbox"/> 2 HP ZOGP2072CE <p>3. Direct Burial Cable Length</p> <ul style="list-style-type: none"> <input type="checkbox"/> 30 Feet (STD.) <input type="checkbox"/> 50 Feet <input type="checkbox"/> 100 Feet <p>4. Cover Options (Select One)</p> <p>Rock Cover</p> <ul style="list-style-type: none"> <input type="checkbox"/> Sandstone <input type="checkbox"/> Flood Plain, Sandstone <p>Flat Cover</p> <ul style="list-style-type: none"> <input type="checkbox"/> Vented <input type="checkbox"/> Flood Plain <p>5. Alarm Box Options</p> <ul style="list-style-type: none"> <input type="checkbox"/> Model 1500 w/Alarm Light, Horn, Silence Button & Circuit Breaker <input type="checkbox"/> Model 1550, includes 1500 features, Plus Generator Receptacle and Automatic Transfer Switch <p>6. Level Control (Select One)</p> <ul style="list-style-type: none"> <input type="checkbox"/> ESPS™ <input type="checkbox"/> SensaPRO <p>NOTES!</p> <ol style="list-style-type: none"> 1. Unit shipped boxed complete including Basin Package, Pump, Level Control and Alarm Box (Riser shipped separately). 2. Riser depth can be shortened in the field during installation. 3. All moving parts and seals serviceable from ground level without entry into the basin. 	
---	--



- MODEL 1500
STD. (WITHOUT GENERATOR CONNECTOR)
- MODEL 1550
WITH GENERATOR CONNECTOR & PUSH-START
- ALARM BOX OPTIONS
- ALARM BOX WITHOUT GENERATOR CONNECTOR (STD)
 - ALARM BOX WITH GENERATOR CONNECTOR

- ROCK COVER OPTIONS
- ROCK
 - VENTED SANDSTONE
 - FLOOD FLAN, SANDSTONE
 - FLAT COVER
 - VENTED
 - FLOOD FLAN

- RISER CONDUIT, NON-METALLIC, PVC 1" CONDUIT - SHIPPED LOOSE
- DIRECT BURIAL CABLE OPTION
- 30 FEET OF CABLE
 - 50 FEET OF CABLE
 - 100 FEET OF CABLE



NOTES:
1. ALL DIMENSIONS ARE 41/4" UNLESS OTHERWISE SPECIFIED

TITLE		CAGE NO	
SIMPLEX, ECO TRAN SYSTEM, ZOGP		96046	
DWG NO		REV	
CD119621-RAZOR		A	
WWW.BARNES.PS.COM		SHEET 1 OF 1	
<p>THIS DRAWING IS APPROVED FOR UNCONTROLLED DISTRIBUTION</p> <p>AS A RESULT OF BARNES CONSTANT PRODUCT IMPROVEMENT PROGRAM, PRODUCT CHANGES MAY OCCUR. AS SUCH, BARNES RESERVES THE RIGHT TO CHANGE PRODUCT WITHOUT PRIOR WRITTEN NOTIFICATION</p>			
<p>THIS PRINT IS AND CONTAINS PROPRIETARY INFORMATION OWNED EXCLUSIVELY BY CRANE PUMPS & SYSTEMS, INC. THIS RESTRICTION INCLUDES, BUT IS NOT LIMITED TO THE CONDITION THAT THIS PRINT WILL ONLY BE USED AS A RECORD OR TO IDENTIFY OR INSPECT PARTS OR FOR OTHER INFORMATION PURPOSES, AND WILL NOT BE USED TO MANUFACTURE OR PROCURE THE MANUFACTURE OF THE PARTS SHOWN IN THIS PRINT BY ANY OTHER SOURCE THAN CRANE PUMPS & SYSTEMS, INC.</p>			

