

GENERAL INFORMATION

MODEL NOMENCLATURE

SELECTION CURVES

SPECIFICATIONS

PACKAGE SYSTEMS

0.2A 3SC STANDARD

PUMP SERIES:

3SCM (3 - 7.5HP, 1750RPM)



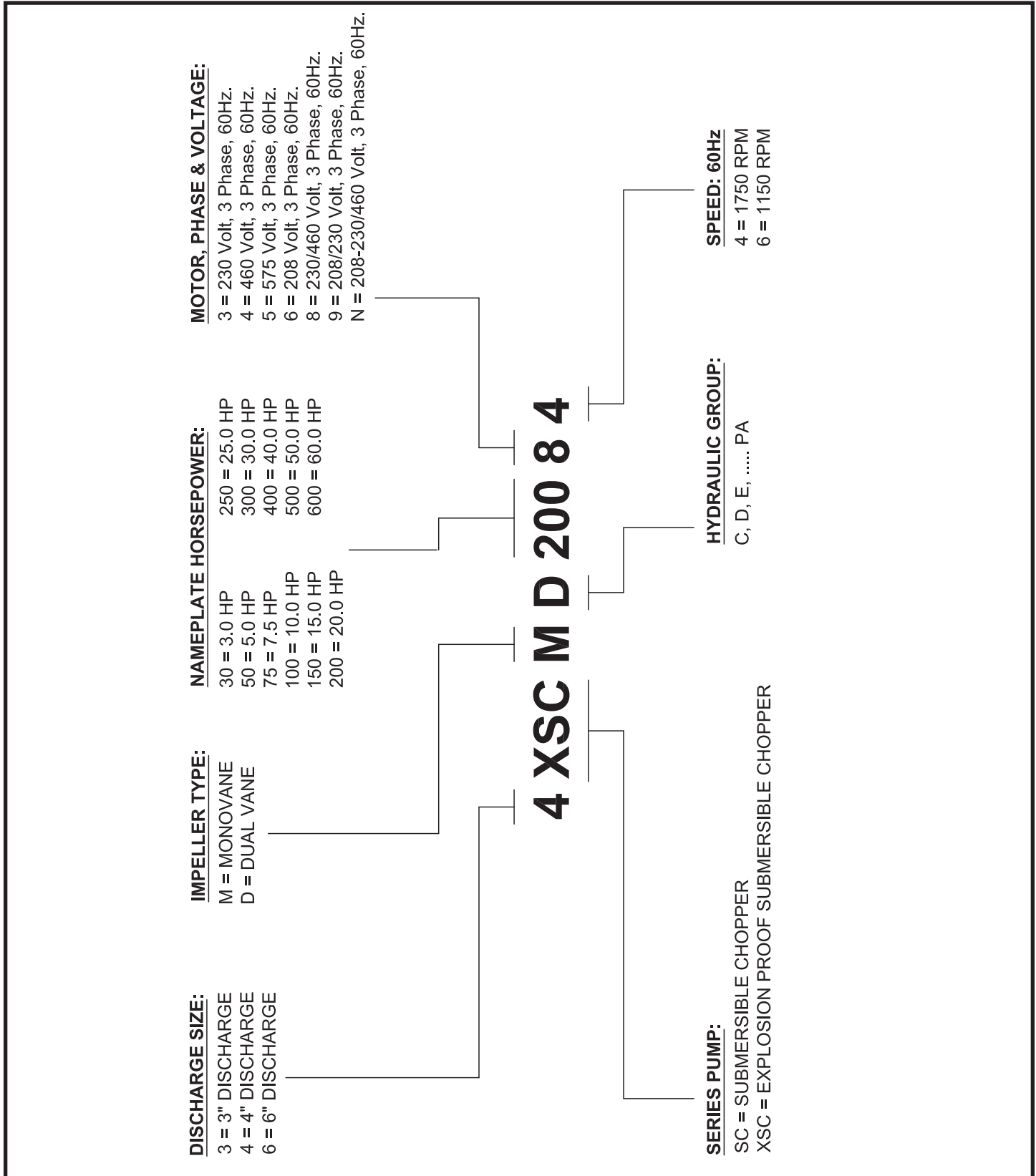
WARNING:

CANCER AND REPRODUCTIVE HARM -
WWW.P65WARNINGS.CA.GOV

Solids Handling Submersible Pumps

This page intentionally left blank

Solids Handling Submersible Pumps



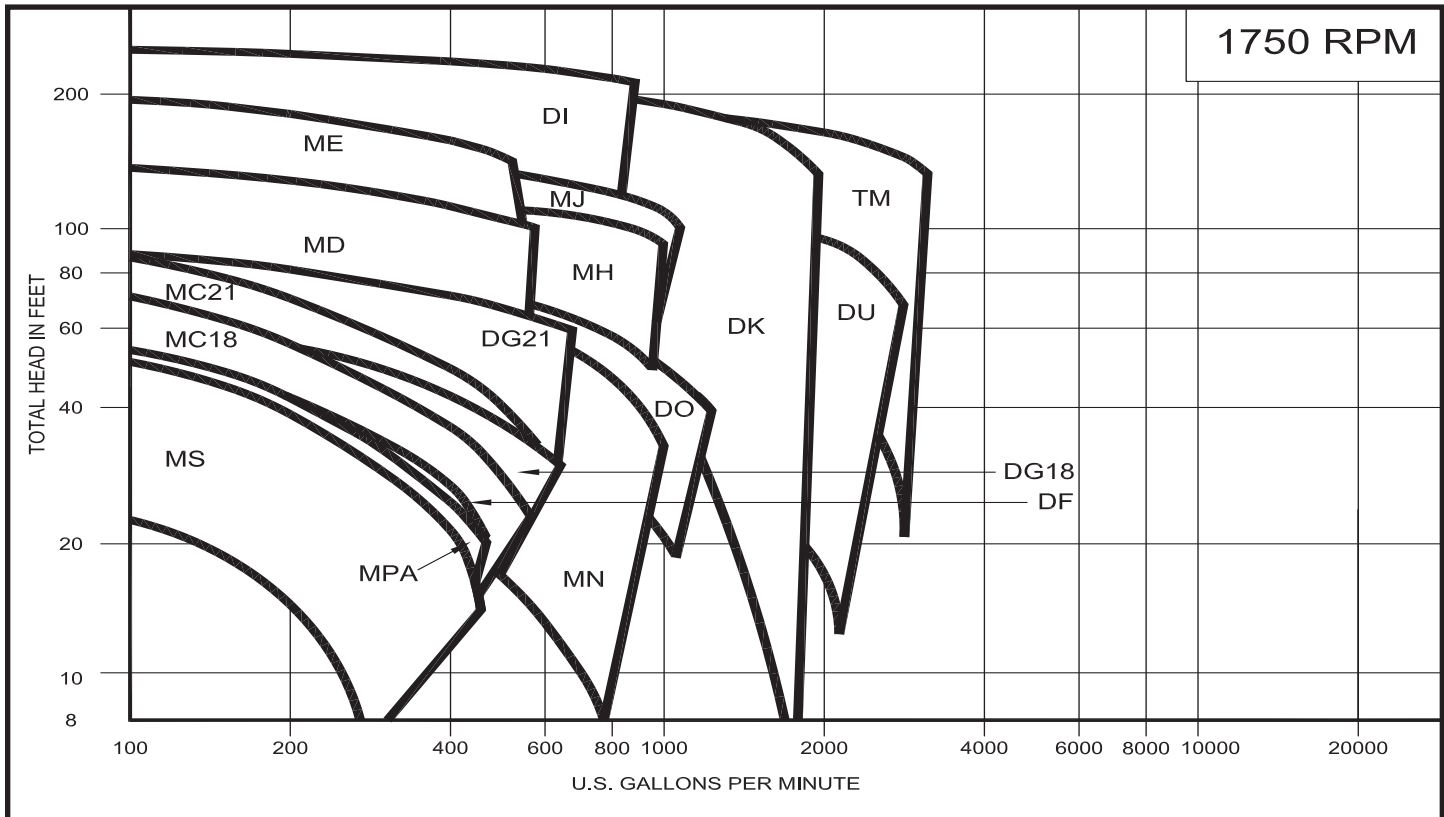
Selection Curves

RPM 1750

BARNES®

www.cranepumps.com

Solids Handling Submersible Pumps



SECTION 0.2A
PAGE D
DATE 6/19

CRANE
A Crane Co. Company

PUMPS & SYSTEMS

USA: (937) 778-8947 • Canada: (905) 457-6223 • International: (937) 615-3598

FILE: SPEC-3SCM.doc

Solids Handling Submersible Pumps

SCOPE: Furnish and install _____ submersible chopper pump(s). Each pump shall be capable of delivering the following performance points, _____ U.S. GPM at _____ TDH; _____ U.S. GPM at _____ TDH; and _____ U.S. GPM at _____ TDH, with a shut off head of _____ TDH (minimum) and _____ % minimum efficiency at _____ U.S. GPM at _____ TDH (operating point). The pump motor shall be _____ RPM, _____ HP (maximum), Three Phase, 60 Hertz, _____ Volts. The pump (s) shall be manufactured by a company regularly engaged in the manufacture and assembly of submersible units for a minimum of five (5) years. The pump (s) shall be SITHE by Barnes® Pumps model 3SCM _____

PUMP DESIGN: Each pump shall be capable of handling raw, unscreened domestic sewage consisting of water, fibrous materials, and solids at heavy consistencies. The pump shall be able to chop/ macerate solids without clogging with chopped solid size not less than 1 inch, and the chopping mechanism shall be an integral part of the pump. The pump(s) shall be capable of handling liquids with temperatures up to 104 degrees F continuous, 160 degrees F intermittent. Bearings shall be oil-lubricated and designed for 50,000 hours operating at minimum flow. Product shall be furnished with oil filled Inverter Duty Motors per NEMA MG-1, Part 31 with stator winding of the open type with Class H spike resistant magnet wire.

PUMP CONSTRUCTION: The volute, seal plate, adapter, motor housing and motor housing cap shall be constructed of high quality, ASTM A-48 Class 30 cast iron. Impeller shall be furnished in ASTM A-536 ductile iron (ASTM A-532 class III Type A White Iron for abrasive applications) with a keyed, tapered shaft bore. Pump(s) shall be coated with two coats of Axalta™ amido amine modified polymer satin gloss epoxy with a total 10 mil minimum thickness in the manufacturer's standard color. All exposed hardware shall be 300 series stainless steel including the lifting bail. Discharge connection shall be a standard 125 pound 3" flange, slotted to accommodate 3" ANSI or 80mm ISO flanges. The suction side of the volute shall contain 16 points of attachment for accessories and additional configurations including attachment of a 3" ANSI or 80mm ISO flange.

The pump shaft shall be 416 stainless steel with a tapered impeller fit to reduce rotor imbalance and minimize stress risers associated with stepped shafts. All gaskets shall be of the angular gland compression O-ring type eliminating critical slip fits and the possibility of damage during service associated with sliding O-ring sealing arrangements. The impeller shall be a mono vane design with pump out vanes.

The chopping mechanism shall consist of a stationary striker plate and a rotating slicing blade. Both blades shall only be constructed of high quality, ASTM A276 440C stainless steel, heat treated to 53-60 HRC. The slicing blade shall be press-fitted on to the impeller and secured to the impeller by four stainless steel pins. The striker plate shall be fixed to the volute in eight locations. The striker plate shall be adjustable to maintain a clearance of 0.001" to 0.008" between the striker plate and slicing blade. The bladed impeller assembly shall be dynamically balanced to ISO G6.3 specifications. The striker plate shall be sealed internally against the volute with an O-ring.

The chopping mechanism shall consist of dual wear ring system. The slicing blade shall operate as a wear ring for the impeller along the outer diameter of the impeller assembly. The matching volute shall be provided with an external replaceable bronze wear ring at the inlet.

The tandem mechanical shaft seals shall be of the single spring design operating in an intermediate oil-filled seal cavity. Pump-out vanes on back side of the impeller shroud shall be large enough to efficiently expel solids away from the seal area. The materials of construction shall be silicon carbide vs. silicon carbide for the pump-end seal and carbon vs. ceramic for the motor-end seal, lapped and polished to a tolerance of one light band, 300 series stainless steel hardware, and Buna-N elastomeric parts. The pump-end seal shall be pinned in place to prevent rotation of the stationary seat and shall seal to the pump housing via an O-ring to maximize heat transfer. Cup mounted seats shall not be considered equal. The seal shall be commercially available and not a pump manufacturer's proprietary design. A moisture sensor detection system consisting of two probes shall be integrated within the oil-filled seal chamber which is isolated from the motor chamber. Units sensing moisture within the motor chamber are not acceptable. Moisture sensing devices utilizing one probe and grounding through the pump case or utilizing a float

device are not acceptable. The leads for the moisture detector and temperature sensors shall be contained within the power cable, except that for 1/0 cables, the sensor leads will be in a separate cable.

The pump motor shall be sized to be non-overloading throughout the entire system operating range. The rotor and stator assembly shall be of the standard frame design and the stator pressed into the motor housing for mechanical stability. The motor shall be constructed with the windings operating in a sealed environment containing clean dielectric oil. Manufacturer to supply submergence requirements for continuous operation.

Motors shall be dielectric oil filled for optimal thermal management and maximum bearing life. Air-filled motors with grease-filled bearings shall not be acceptable. The motor windings shall be of Class H, spike-resistant insulation. The motor shall meet the NEMA Design B standard and be Inverter Duty Rated per NEMA MG1, part 31.

The pump shaft shall be of 416 stainless steel, keyed and tapered for the matching impeller. The lower bearing shall be of the double row ball type, locked in position to accept radial and axial thrust loads, and the upper bearing of the single ball type for radial loads. Bearings shall operate in an oil bath environment for superior lubrication, cooling and life.

THREE PHASE: Three thermal sensors (one per phase) shall be embedded in the end coil of the stator windings, wired in series and used to monitor stator temperatures. This shall be used in conjunction with an external motor overload protection device and wired to the control panel through the single power cable.

The pump shall be equipped with (30/50/75/100) ft. of a CSA-qualified submersible quick connect power cable constructed in accordance with type W guidelines and shall include the moisture and temperature sensor leads. The cable entry system shall consist of a voltage-selectable expanding elastomeric plug held in place by a cast stainless steel plate indicating voltage and max amps.

PUMP TEST: The pump manufacturer shall perform a standard three point performance test at the minimum. If certified testing is required, the manufacturer shall offer to perform tests in accordance with Grades B, E and U of Hydraulic Institute standards. Additionally,

1. A check of the motor voltage and frequency shall be made as shown on the name plate.
2. A motor and cable insulation test for moisture content or insulation defects shall be made per CSA criteria.
3. A performance curve from the production line test showing head versus flow shall be included in the Installation and Operation Manual shipped with each pump.
4. A written report shall be available showing the aforementioned tests have been performed in accordance with the specifications.

START-UP: The pump(s) shall be tested at start-up by a qualified representative of the manufacturer. A start-up report as provided by the manufacturer shall be completed before final acceptance of the pump(s).

DOCUMENTATION: The manufacturer, if requested, will supply a minimum of _____ sets of standard submittal data; Standard submittal data consist of:

1. Pump catalog data;
2. Pump performance curve;
3. Break Away Fitting (BAF) data;
4. Access cover data;
5. Typical installation drawing;
6. Control panel data
7. Panel wiring schematic;
8. Accessory data;
9. Installation & Operation Manuals with Parts List.

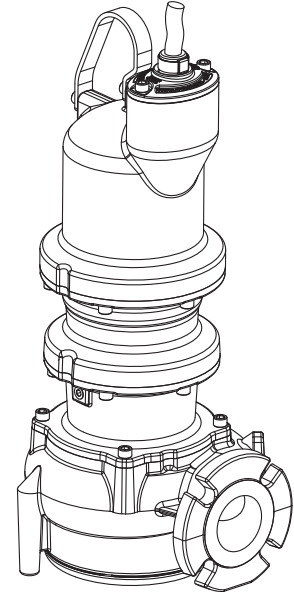
Solids Handling Submersible Pumps

This page intentionally left blank

Solids Handling Submersible Pumps

Specifications:

DISCHARGE	3" , 125 lb. Horizontal Flange Slotted to accommodate 80mm ISO Flanges
LIQUID TEMPERATURE	104°F (40°C) Continuous
VOLUTE	Cast Iron ASTM A-48, Class 30
STRIKER PLATE	440C Stainless Steel Heat Treated to 53-60 HRC Hole Pattern to Accomodate 4" 125 # Flange
WEAR RING	C954 Lead-Free Bronze
MOTOR HOUSING	Cast Iron ASTM A-48, Class 30
SEAL PLATE	Cast Iron ASTM A-48, Class 30
IMPELLER:	
<i>Design</i>	Enclosed Monovane, With Pump Out Vaness on Back Side. Dynamically Balanced ISO G6.3
<i>Material</i>	Ductile Iron ASTM A-536, 65-45-12
SLICING BLADE	440C Stainless Steel Heat Treated to 53-60 HRC
SHAFT	416 Stainless Steel
"O" RINGS	Buna-N
HARDWARE	300 Series Stainless Steel
LIFTING BAIL	300 Series Stainless Steel
PAINT	Epoxy Dupont Corlar® Amine Epoxy, Two Coats
SEAL: <i>Design</i>	Tandem Mechanical, Oil Filled Reservoir.
<i>Material: Inboard</i>	Rotating Faces - Carbon Stationary Faces - Ceramic
<i>Material: Outboard</i> ...	Rotating Faces - Silicon Carbide Stationary Faces - Silicon Carbide Elastomer - Buna-N Hardware - 300 Series Stainless
CORD ENTRY	Custom Molded, Quick Connected for Sealing and Strain Relief
POWER CORD	CSA Certified Submersible Power Cable 2000V - Ordered Separately
SPEED	1750 RPM (Nominal)
UPPER BEARING:	
<i>Design</i>	Single Row, Ball, Oil Lubricated
<i>Load</i>	Radial
LOWER BEARING:	
<i>Design</i>	Double Row, Ball, Oil Lubricated
<i>Load</i>	Radial & Thrust
MOTOR: <i>Design</i>	NEMA B - Three Phase Torque Curve Oil-Filled, Squirrel Cage Induction, Inverter Duty rated per NEMA MG1
<i>Insulation</i>	Class H Varnish & Magnet Wire
THREE PHASE	Requires overload protection to be included in control panel.
MOISTURE SENSOR	Normally Open (N/O), Requires Relay in Control Panel
TEMPERATURE SENSOR	Three Normally Closed (N/C). To be wired in series with control circuit.
OPTIONAL EQUIPMENT	White Iron Impeller, Seal Material, Impeller Trims, Cord Length
MARKINGS	CSA, CE
WEIGHT	252 lbs (115 Kg)
NOISE EMISSION MAX	In-Air 65 dB-A
SUBMERGENCE	Max Depth 66ft (20m)
RECOMMENDED:	
<i>Accessories</i>	Break Away Fitting (BAF) Control Panel Pump Monitor Relay Leg Kit



SITHE

Series: 3SCM
3 - 7.5HP, 1750RPM, 60Hz

Sample Specifications: Section 0.2A Page G.

This product may be covered by one or more of the following patents and other patent(s) pending: US Patent 7,931,473, NZ DSN NO. 424412, NZ DSN NO. 424413, AUS DSN NO. 201812608, AUS DSN NO. 201812609, EU Design Reg. 005293040-0001

DESCRIPTION:

**SUBMERSIBLE CHOPPER PUMP
DESIGNED FOR RAW SEWAGE
APPLICATIONS.**



WARNING:

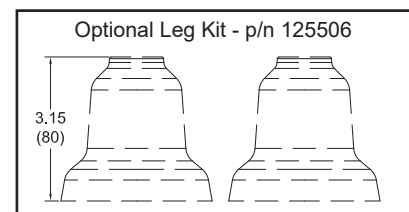
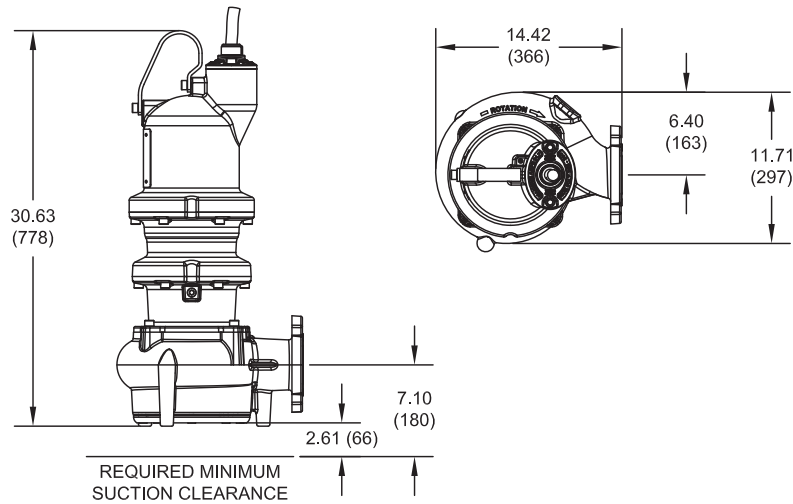
CANCER AND REPRODUCTIVE HARM -
WWW.P65WARNINGS.CA.GOV



Solids Handling Submersible Pumps

18 Frame Driver

inches
(mm)



IMPORTANT !

- 1.) MOISTURE AND TEMPERATURE SENSORS MUST BE CONNECTED TO VALIDATE THE CSA LISTING.
- 2.) A SPECIAL MOISTURE SENSOR RELAY IS REQUIRED IN THE CONTROL PANEL FOR PROPER OPERATION OF THE MOISTURE SENSORS. CONTACT BARNES PUMPS FOR INFORMATION CONCERNING MOISTURE SENSING RELAYS FOR CUSTOMER SUPPLIED CONTROL PANELS.
- 3.) THESE PUMPS ARE CSA LISTED FOR PUMPING WATER AND WASTEWATER. **DO NOT USE TO PUMP FLAMMABLE LIQUIDS.**
- 4.) INSTALLATIONS SUCH AS DECORATIVE FOUNTAINS OR WATER FEATURES PROVIDED FOR VISUAL ENJOYMENT MUST BE INSTALLED IN ACCORDANCE WITH THE NATIONAL ELECTRIC CODE ANSI/NFPA 70 AND/OR THE AUTHORITY HAVING JURISDICTION. THIS PUMP IS NOT INTENDED FOR USE IN SWIMMING POOLS, RECREATIONAL WATER PARKS, OR INSTALLATIONS IN WHICH HUMAN CONTACT WITH PUMPED MEDIA IS A COMMON OCCURRENCE.
- 5.) THIS PUMP IS NOT APPROPRIATE FOR THOSE APPLICATIONS SPECIFIED AS CLASS 1 DIVISION 1 HAZARDOUS LOCATIONS.

Solids Handling Submersible Pumps

MODEL NO	HP	VOLT	PH	Hz	RPM (Nom)	NEMA START CODE	FULL LOAD AMPS	SERVICE FACTOR	SERVICE FACTOR AMPS	LOCKED ROTOR AMPS	DRIVER FRAME	CORD P/N ▲	CORD SIZE
3SCMPA30N4*	3	208	3	60	1750	K	9.7	1.2	11.4	58.2 /	18	125496	12/4 - 18/4
		230					9.2	10.6	65.8				
		460					4.6	5.3	32.9				
3SCMPA3054*	3	575	3	60	1750	N	4.5	1.2	4.9	37.0	18	125497	12/4 - 18/4
		208					15.8	18.7	82.4 /				
		230					15.0	17.2	92.4				
3SCMPA50N4	5	208	3	60	1750	J	7.5	1.2	8.6	46.2	18	125497	12/4 - 18/4
		230					6.0	6.9	37.0				
		460					23.8	28.5	105.9 /				
3SCMPA5054	5	575	3	60	1750	J	23.7	1.2	27.2	123.6	18	125496	12/4 - 18/4
		208					11.9	13.6	61.8				
		230					9.5	10.9	49.4				
3SCMPA75N4	7.5	208	3	60	1750	H	11.9	1.2	13.6	61.8	18	125497	12/4 - 18/4
		230					9.5	10.9	49.4				
		460					11.9	13.6	61.8				
3SCMPA7554	7.5	575	3	60	1750	H	9.5	1.2	10.9	49.4	18	125497	12/4 - 18/4

IMPORTANT !

Moisture and Temperature sensor leads are integral to power cord.

Pump rated for operation at ± 10% voltage at motor.

▲ Cord Suffix: XC - 30 Feet, XF - 50 Feet, XJ - 75 Feet, or XL - 100 Feet.

* Cord sold separately.

▲ Select impeller diameter when ordering.

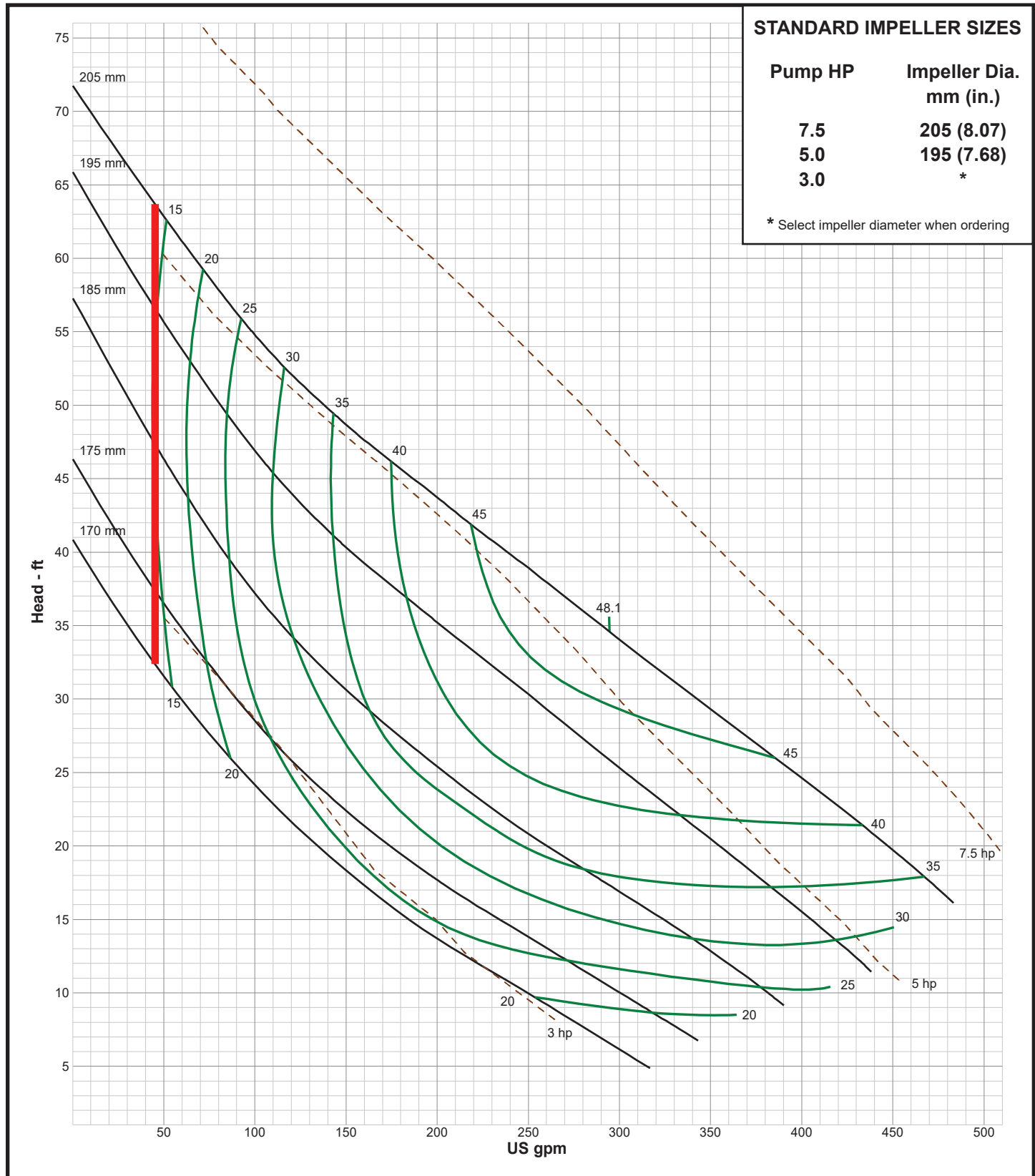
Series 3SCMPA

Performance Curve
3 - 7.5HP, 1750RPM, 60Hz

BARNES®

www.cranepumps.com

Solids Handling Submersible Pumps



SECTION 0.2A
PAGE 4
DATE 12/19

CRANE
A Crane Co. Company

PUMPS & SYSTEMS

USA: (937) 778-8947 • Canada: (905) 457-6223 • International: (937) 615-3598