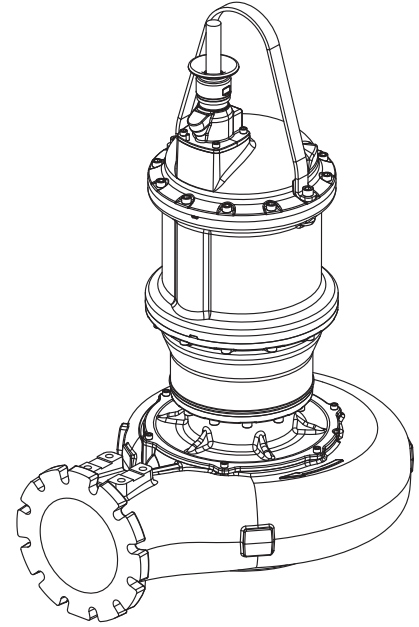


## Specifications:

<b>DISCHARGE</b> .....	10", 125 lb. Horizontal Flange Slotted to accommodate 200mm ISO Flanges
<b>LIQUID TEMPERATURE</b> .....	104°F (40°C) Continuous
<b>VOLUTE</b> .....	Cast Iron ASTM A-48, Class 30
<b>STRIKER PLATE</b> .....	440C Stainless Steel Heat Treated to 53-60 HRC Hole Pattern to Accomodate 12" 125 # Flange
<b>WEAR RING</b> .....	C954 Lead-Free Bronze
<b>MOTOR HOUSING</b> .....	Cast Iron ASTM A-48, Class 30
<b>SEAL PLATE</b> .....	Cast Iron ASTM A-48, Class 30
<b>IMPELLER:</b>	
<i>Design</i> .....	Enclosed Tri Vane, With Pump Out Vaness on Back Side. Dynamically Balanced ISO G6.3
<i>Material</i> .....	Ductile Iron ASTM A-536, 65-45-12
<b>SLICING BLADE</b> .....	440C Stainless Steel Heat Treated to 53-60 HRC
<b>SHAFT</b> .....	416 Stainless Steel
<b>"O" RINGS</b> .....	Buna-N
<b>HARDWARE</b> .....	300 Series Stainless Steel
<b>LIFTING BAIL</b> .....	300 Series Stainless Steel
<b>PAINT</b> .....	Axalta™ Corlar® Epoxy, Two Coats
<b>SEAL:</b>	
<i>Design</i> .....	Tandem Mechanical, Oil Filled Reservoir.
<i>Material: Inboard</i> .....	Rotating Faces - Carbon Stationary Faces - Ceramic
<i>Material: Outboard</i> .....	Rotating Faces - Silicon Carbide Stationary Faces - Silicon Carbide Elastomer - Buna-N Hardware - 300 Series Stainless
<b>CORD ENTRY</b> .....	Rigid quick change epoxy-potted housing
<b>POWER CORD</b> .....	CSA Certified Submersible Power Cable 2000V - Ordered Separately
<b>SPEED</b> .....	1150 RPM
<b>UPPER BEARING:</b>	
<i>Design</i> .....	Single Row, Ball, Oil Lubricated
<i>Load</i> .....	Radial
<b>LOWER BEARING:</b>	
<i>Design</i> .....	Double Row, Ball, Oil Lubricated
<i>Load</i> .....	Radial & Thrust
<b>MOTOR: Design</b> .....	NEMA B Three Phase Torque Curve. Oil-Filled, Squirrel Cage Induction, Inverter Duty rated per NEMA MG1
<i>Insulation</i> .....	Class H Varnish & Magnet Wire
<b>THREE PHASE</b> .....	Requires overload protection to be included in control panel.
<b>MOISTURE SENSOR</b> .....	Normally Open (N/O), Requires Relay in Control Panel
<b>TEMPERATURE SENSOR</b> .....	Three Normally Closed (N/C). To be wired in series with control circuit.
<b>OPTIONAL EQUIPMENT</b> .....	White Iron Impeller, Seal Material, Impeller Trims, Cord Length
<b>MARKINGS</b> .....	CSA
<b>WEIGHT</b> .....	1985 lbs (900 Kg)
<b>SUBMERGENCE</b> .....	Max Depth 66ft (20m)
<b>RECOMMENDED:</b>	
<i>Accessories</i> .....	Break Away Fitting (BAF) Check Valve Control Panel Moisture/Temp. Sensor Relay (Pump Monitor Relay) Leg Kit



# SITHE

## Series: 10SCT 50 - 100HP, 1150RPM, 60Hz

Sample Specifications: Section 0.2J Page F.

This product may be covered by one or more of the following patents and other patent(s) pending: US Patent 7,931,473, NZ DSN NO. 424412, NZ DSN NO. 424413, AUS DSN NO. 201812608, AUS DSN NO. 201812609, EU Design Reg. 005293040-0001

### DESCRIPTION:

**SUBMERSIBLE CHOPPER PUMP  
DESIGNED FOR RAW SEWAGE  
APPLICATIONS.**



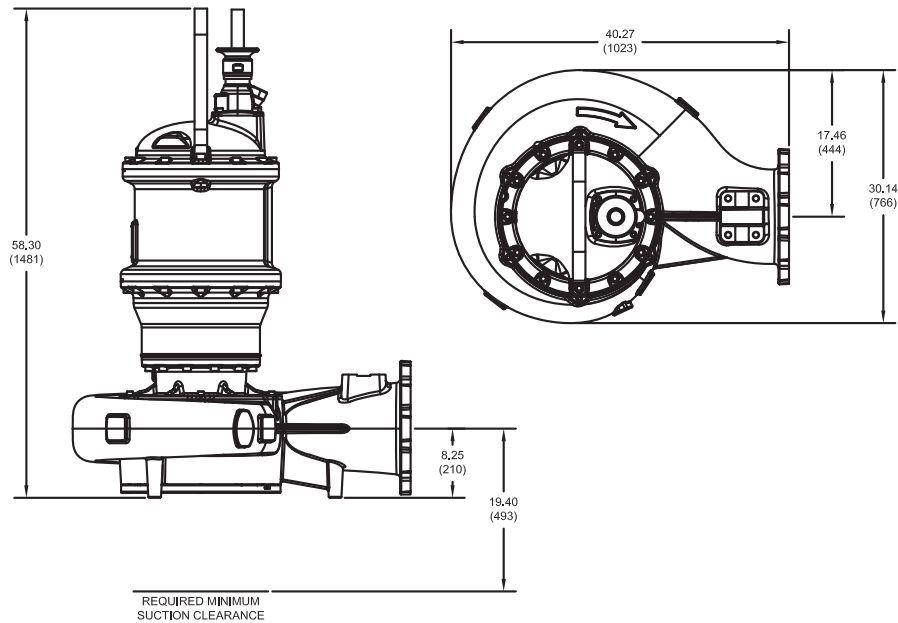
#### WARNING:

CANCER AND REPRODUCTIVE HARM -  
WWW.P65WARNINGS.CA.GOV



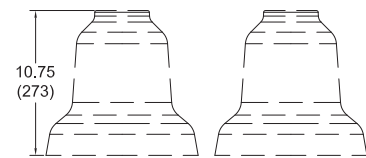
## SITHE Submersible Chopper Pumps

### 32 Frame Driver



inches  
(mm)

#### Optional Leg Kit - p/n 125506C



#### IMPORTANT !

- 1.) MOISTURE AND TEMPERATURE SENSORS MUST BE CONNECTED TO VALIDATE THE CSA LISTING.
- 2.) A SPECIAL MOISTURE SENSOR RELAY IS REQUIRED IN THE CONTROL PANEL FOR PROPER OPERATION OF THE MOISTURE SENSORS. CONTACT BARNES PUMPS FOR INFORMATION CONCERNING MOISTURE SENSING RELAYS FOR CUSTOMER SUPPLIED CONTROL PANELS.
- 3.) THESE PUMPS ARE CSA LISTED FOR PUMPING WATER AND WASTEWATER. **DO NOT USE TO PUMP FLAMMABLE LIQUIDS.**
- 4.) INSTALLATIONS SUCH AS DECORATIVE FOUNTAINS OR WATER FEATURES PROVIDED FOR VISUAL ENJOYMENT MUST BE INSTALLED IN ACCORDANCE WITH THE NATIONAL ELECTRIC CODE ANSI/NFPA 70 AND/OR THE AUTHORITY HAVING JURISDICTION. THIS PUMP IS NOT INTENDED FOR USE IN SWIMMING POOLS, RECREATIONAL WATER PARKS, OR INSTALLATIONS IN WHICH HUMAN CONTACT WITH PUMPED MEDIA IS A COMMON OCCURRENCE.
- 5.) THIS PUMP IS NOT APPROPRIATE FOR THOSE APPLICATIONS SPECIFIED AS CLASS 1 DIVISION 1 HAZARDOUS LOCATIONS.

MODEL NO	HP	VOLT	PH	Hz	RPM (Nom)	NEMA START CODE	FULL LOAD AMPS	SERVICE FACTOR	SERVICE FACTOR AMPS	LOCKED ROTOR AMPS	DRIVER FRAME	CORD P/N ▲	CORD SIZE
10SCTB50046	50.0	460	3	60	1150	H	76.4	1.15	84.0	400.0	32	138318	6/4 - 18/4
10SCTB50056	50.0	575	3	60	1150	H	61.2	1.15	67.2	320.0	32	138318	6/4 - 18/4
10SCTB60046	60.0	460	3	60	1150	F	86.7	1.15	96.8	400.0	32	138319	2/4 - 18/4
10SCTB60056	60.0	575	3	60	1150	F	69.4	1.15	77.4	320.0	32	138318	6/4 - 18/4
10SCTB75046	75.0	460	3	60	1150	H	109.3	1.15	119.5	612.0	32	138319	2/4 - 18/4
10SCTB75056	75.0	575	3	60	1150	H	87.4	1.15	95.6	489.6	32	138319	2/4 - 18/4
10SCTB100046	100.0	460	3	60	1150	E	135.0	1.0	135.0	612.0	32	138319	2/4 - 18/4
10SCTB100056	100.0	575	3	60	1150	E	108.0	1.0	108.0	489.6	32	138319	2/4 - 18/4

**SCTB Pump**

**IMPORTANT !**  
 Moisture and Temperature sensor leads are integral to power cord.  
 Pump rated for operation at ± 10% voltage at motor.  
 ▲ Cord Suffix: XC - 30 Feet, XF - 50 Feet, XJ - 75 Feet, or XL - 100 Feet.  
 ▲ Cord sold separately.

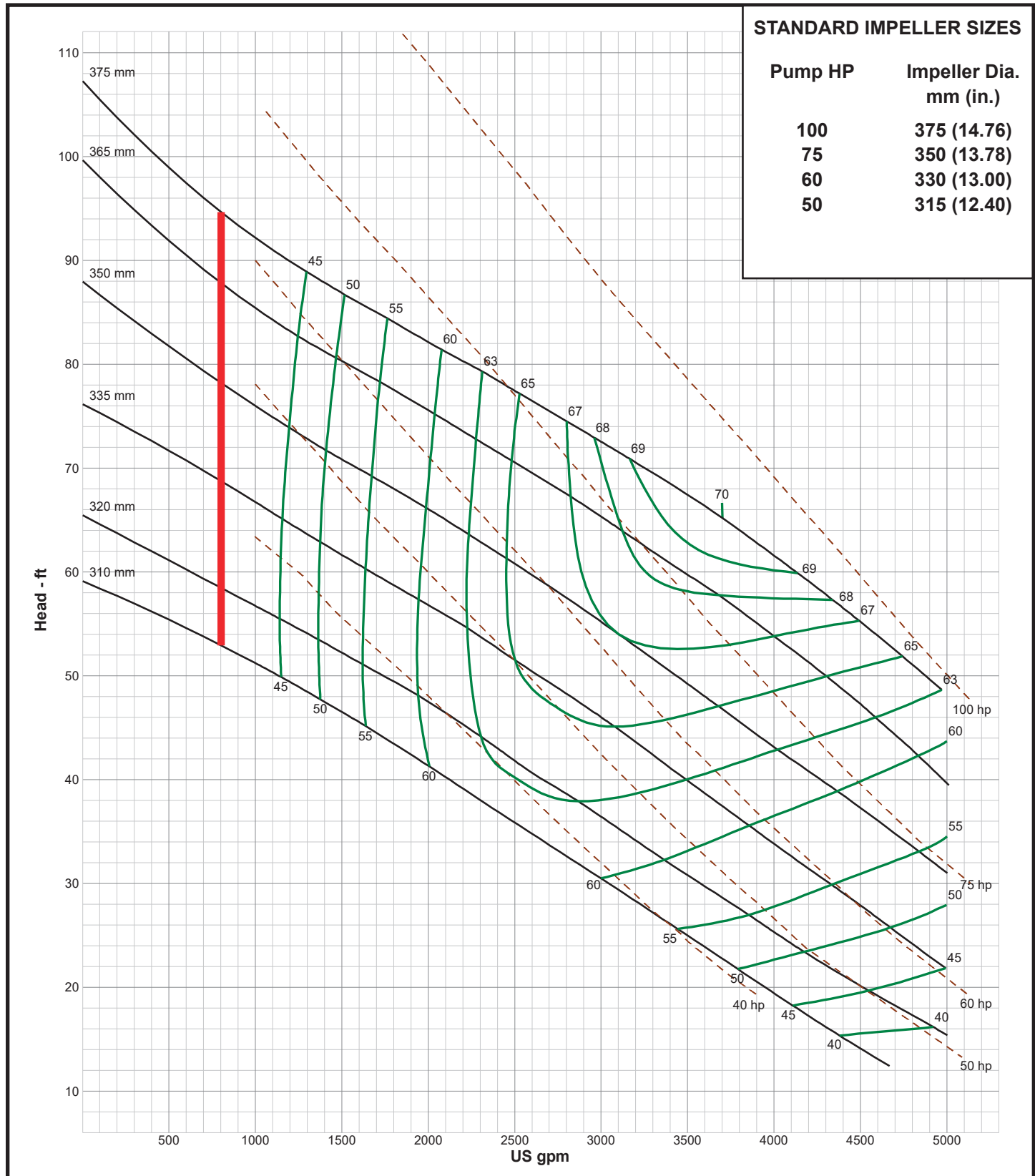
# Series 10SCT

Performance Curve  
50 - 100HP, 1150RPM, 60Hz

# BARNES®

www.cranepumps.com

## SITHE Submersible Chopper Pumps



SECTION 0.2J  
PAGE 14  
DATE 6/20

**CRANE**  
A Crane Co. Company

PUMPS & SYSTEMS

USA: (937) 778-8947 • Canada: (905) 457-6223 • International: (937) 615-3598