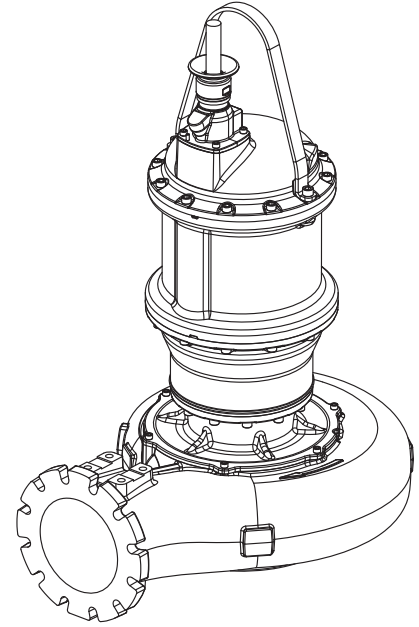


Specifications:

DISCHARGE	10", 125 lb. Horizontal Flange Slotted to accommodate 200mm ISO Flanges
LIQUID TEMPERATURE	104°F (40°C) Continuous
VOLUTE	Cast Iron ASTM A-48, Class 30
STRIKER PLATE	440C Stainless Steel Heat Treated to 53-60 HRC Hole Pattern to Accomodate 12" 125 # Flange
WEAR RING	C954 Lead-Free Bronze
MOTOR HOUSING	Cast Iron ASTM A-48, Class 30
SEAL PLATE	Cast Iron ASTM A-48, Class 30
IMPELLER:	
<i>Design</i>	Enclosed Tri Vane, With Pump Out Vaness on Back Side. Dynamically Balanced ISO G6.3
<i>Material</i>	Ductile Iron ASTM A-536, 65-45-12
SLICING BLADE	440C Stainless Steel Heat Treated to 53-60 HRC
SHAFT	416 Stainless Steel
"O" RINGS	Buna-N
HARDWARE	300 Series Stainless Steel
LIFTING BAIL	300 Series Stainless Steel
PAINT	Axalta™ Corlar® Epoxy, Two Coats
SEAL:	
<i>Design</i>	Tandem Mechanical, Oil Filled Reservoir.
<i>Material: Inboard</i>	Rotating Faces - Carbon Stationary Faces - Ceramic
<i>Material: Outboard</i>	Rotating Faces - Silicon Carbide Stationary Faces - Silicon Carbide Elastomer - Buna-N Hardware - 300 Series Stainless
CORD ENTRY	Rigid quick change epoxy-potted housing
POWER CORD	CSA Certified Submersible Power Cable 2000V - Ordered Separately
SPEED	1150 RPM
UPPER BEARING:	
<i>Design</i>	Single Row, Ball, Oil Lubricated
<i>Load</i>	Radial
LOWER BEARING:	
<i>Design</i>	Double Row, Ball, Oil Lubricated
<i>Load & Thrust</i>	Radial & Thrust
MOTOR: Design	NEMA B Three Phase Torque Curve. Oil-Filled, Squirrel Cage Induction, Inverter Duty rated per NEMA MG1
<i>Insulation</i>	Class H Varnish & Magnet Wire
THREE PHASE	Requires overload protection to be included in control panel.
MOISTURE SENSOR	Normally Open (N/O), Requires Relay in Control Panel
TEMPERATURE SENSOR	Three Normally Closed (N/C). To be wired in series with control circuit.
OPTIONAL EQUIPMENT	White Iron Impeller, Seal Material, Impeller Trims, Cord Length
MARKINGS	CSA
WEIGHT	1985 lbs (900 Kg)
SUBMERGENCE	Max Depth 66ft (20m)
RECOMMENDED:	
<i>Accessories</i>	Break Away Fitting (BAF) Check Valve Control Panel Moisture/Temp. Sensor Relay (Pump Monitor Relay) Leg Kit



SITHE

Series: 10XSCT 50 - 100HP, 1150RPM, 60Hz

Explosion Proof, Class I, Division 1, Groups C & D, T4

Sample Specifications: Section 0.2K Page F.

This product may be covered by one or more of the following patents and other patent(s) pending: US Patent 7,931,473, NZ DSN NO. 424412, NZ DSN NO. 424413, AUS DSN NO. 201812608, AUS DSN NO. 201812609, EU Design Reg. 005293040-0001

DESCRIPTION:

SUBMERSIBLE CHOPPER PUMP
DESIGNED FOR RAW SEWAGE
APPLICATIONS.



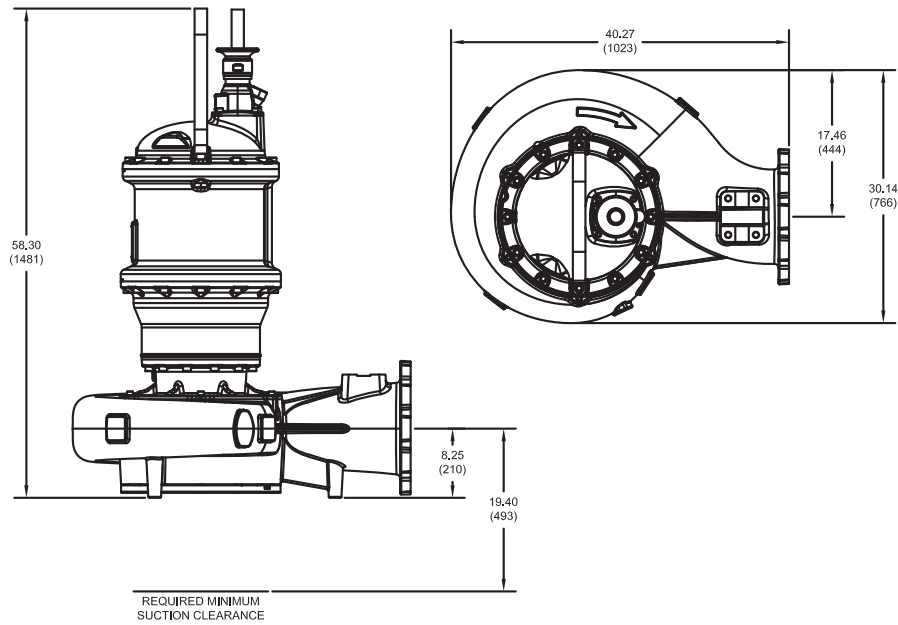
WARNING:

CANCER AND REPRODUCTIVE HARM -
WWW.P65WARNINGS.CA.GOV



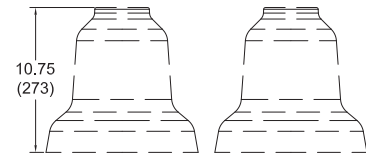
SITHE X-Pruf® Submersible Chopper Pumps

32 Frame Driver



inches
(mm)

Optional Leg Kit - p/n 125506C



IMPORTANT !

- 1.) MOISTURE AND TEMPERATURE SENSORS MUST BE CONNECTED TO VALIDATE THE CSA LISTING.
- 2.) A SPECIAL MOISTURE SENSOR RELAY IS REQUIRED IN THE CONTROL PANEL FOR PROPER OPERATION OF THE MOISTURE SENSORS. CONTACT BARNES PUMPS FOR INFORMATION CONCERNING MOISTURE SENSING RELAYS FOR CUSTOMER SUPPLIED CONTROL PANELS.
- 3.) THESE PUMPS ARE CSA LISTED FOR PUMPING WATER AND WASTEWATER. **DO NOT USE TO PUMP FLAMMABLE LIQUIDS.**
- 4.) INSTALLATIONS SUCH AS DECORATIVE FOUNTAINS OR WATER FEATURES PROVIDED FOR VISUAL ENJOYMENT MUST BE INSTALLED IN ACCORDANCE WITH THE NATIONAL ELECTRIC CODE ANSI/NFPA 70 AND/OR THE AUTHORITY HAVING JURISDICTION. THIS PUMP IS NOT INTENDED FOR USE IN SWIMMING POOLS, RECREATIONAL WATER PARKS, OR INSTALLATIONS IN WHICH HUMAN CONTACT WITH PUMPED MEDIA IS A COMMON OCCURRENCE.

MODEL NO	HP	VOLT	PH	Hz	RPM (Nom)	NEMA START CODE	FULL LOAD AMPS	SERVICE FACTOR	SERVICE FACTOR AMPS	LOCKED ROTOR AMPS	DRIVER FRAME	CORD P/N ▲	CORD SIZE
10XSCTB50046	50.0	460	3	60	1150	H	76.4	1.15	84.0	400.0	32	138318	6/4 - 18/4
10XSCTB50056	50.0	575	3	60	1150	H	61.2	1.15	67.2	320.0	32	138318	6/4 - 18/4
10XSCTB60046	60.0	460	3	60	1150	F	86.7	1.15	96.8	400.0	32	138319	2/4 - 18/4
10XSCTB60056	60.0	575	3	60	1150	F	69.4	1.15	77.4	320.0	32	138318	6/4 - 18/4
10XSCTB75046	75.0	460	3	60	1150	H	109.3	1.15	119.5	612.0	32	138319	2/4 - 18/4
10XSCTB75056	75.0	575	3	60	1150	H	87.4	1.15	95.6	489.6	32	138319	2/4 - 18/4
10XSCTB100046	100.0	460	3	60	1150	E	135.0	1.0	135.0	612.0	32	138319	2/4 - 18/4
10XSCTB100056	100.0	575	3	60	1150	E	108.0	1.0	108.0	489.6	32	138319	2/4 - 18/4

SCTB Pump

IMPORTANT !
 Moisture and Temperature sensor leads are integral to power cord.
 Pump rated for operation at ± 10% voltage at motor.
 ▲ Cord Suffix: XC - 30 Feet, XF - 50 Feet, XJ - 75 Feet, or XL - 100 Feet.
 ▲ Cord sold separately.

Series 10XSCT

Performance Curve
50 - 100HP, 1150RPM, 60Hz

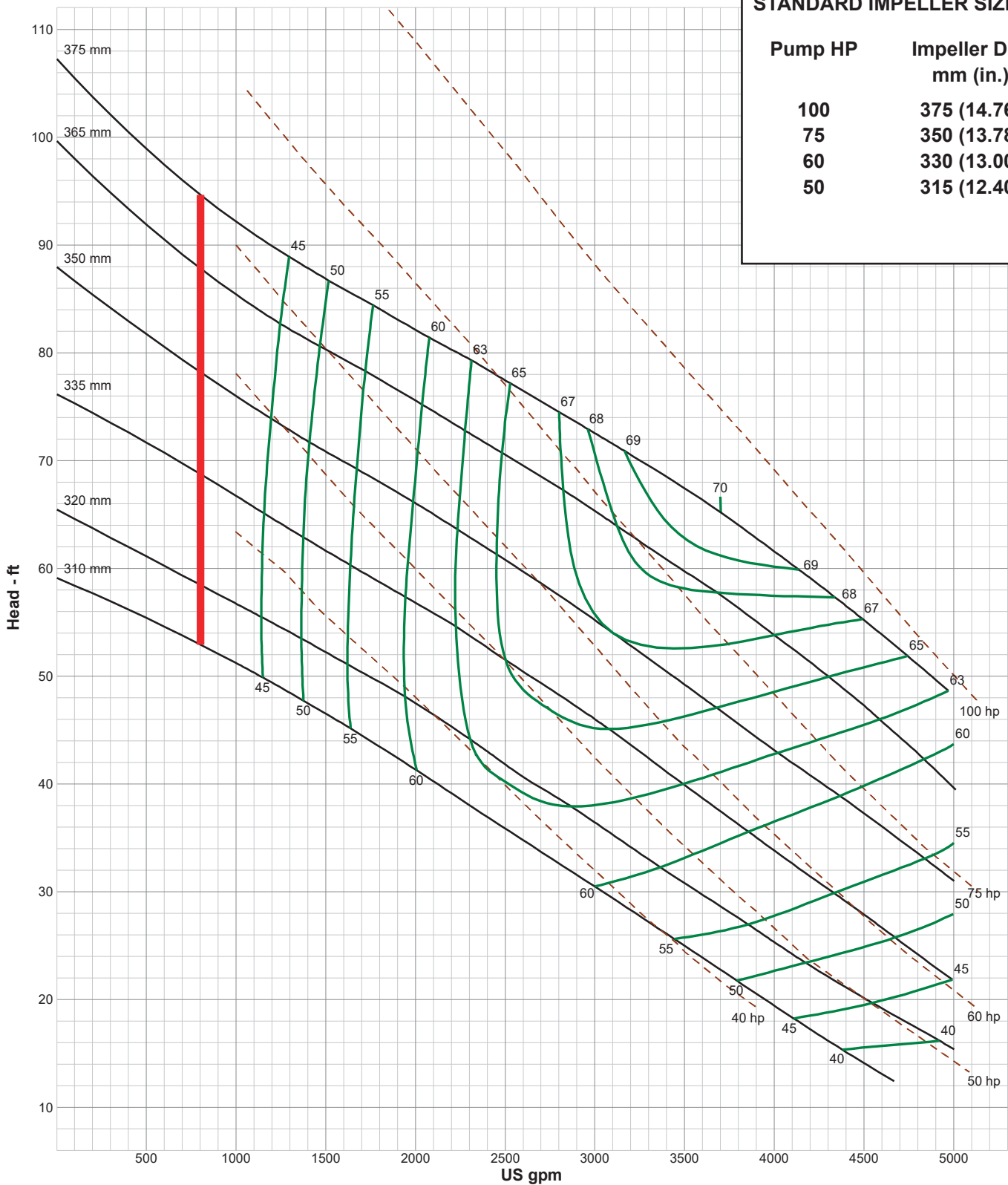
BARNES®

www.cranepumps.com

SITHE X-Pruf® Submersible Chopper Pumps

STANDARD IMPELLER SIZES

Pump HP	Impeller Dia. mm (in.)
100	375 (14.76)
75	350 (13.78)
60	330 (13.00)
50	315 (12.40)



SECTION 0.2K
PAGE 14
DATE 6/20

CRANE
A Crane Co. Company

PUMPS & SYSTEMS

USA: (937) 778-8947 • Canada: (905) 457-6223 • International: (937) 615-3598