

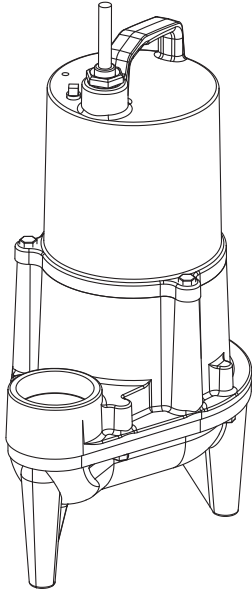
Series SEV412

2" Spherical Solids Handling
Manual & Automatic

BARNES®

www.cranepumps.com

1½", 2" & 3" Discharge



DISCHARGE2" NPT, Female, Vertical
LIQUID TEMPERATURE77°F (25°C) Continuous
MOTOR HOUSINGCast Iron
PUMP BODYCast Iron
IMPELLER: DesignMulti-Vane, Vortex
MaterialCast Iron
SHAFT416 Stainless Steel
O-RINGSBuna-N
HARDWARE300 Series Stainless Steel
PAINTAir Dry Enamel
CORD ENTRY20 ft. (6m) Quick Disconnect Cord with plug on 115 Volt, Pressure Grommet for sealing and strain relief
SEAL: DesignSingle Mechanical, Oil Filled Reservoir
MaterialCarbon/Ceramic/Buna-N Hardware -300 Series Stainless
SPEED3450 RPM (Nominal)
UPPER BEARINGSingle Row, Ball, Oil Lubricated
LOWER BEARINGSingle Row, Ball, Oil Lubricated
MOTOR: DesignOil Filled
InsulationClass B
SINGLE PHASEPermanent Split Capacitor (PSC) Includes Overload Protection in Motor
LEVEL CONTROL:	
SEV412None
SEV412AWide Angle, Mechanical, 20 ft (6m) cord Pipe Mounted
SEV412VFVertical Float, PVC, Snap Action
SEV412VFTAttached Vertical Float, PVC, Snap Action
SEV412ATWide Angle, Mechanical, 20 ft (6m) cord Pump Mounted

RECOMMENDED:

AccessoriesBreak Away Fitting (BAF) Check Valve Control Panel
--------------------	---

Series: SEV .5HP, 3450RPM, 60Hz

DESCRIPTION:

SUBMERSIBLE NON-CLOG SEWAGE PUMP
DESIGNED FOR TYPICAL RAW SEWAGE
APPLICATIONS



WARNING:

CANCER AND REPRODUCTIVE HARM -
WWW.P65WARNINGS.CA.GOV



SECTION 1B
PAGE 10
DATE 12/18

CRANE®

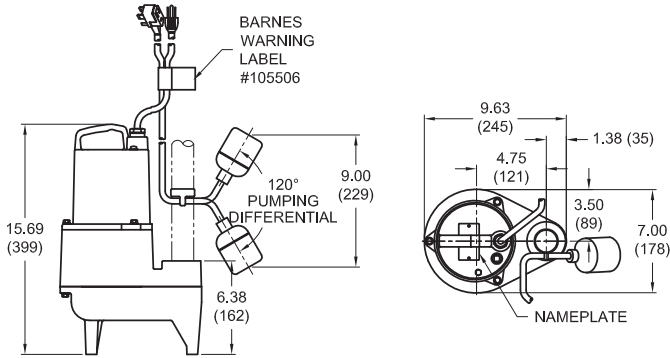
A Crane Co. Company

PUMPS & SYSTEMS

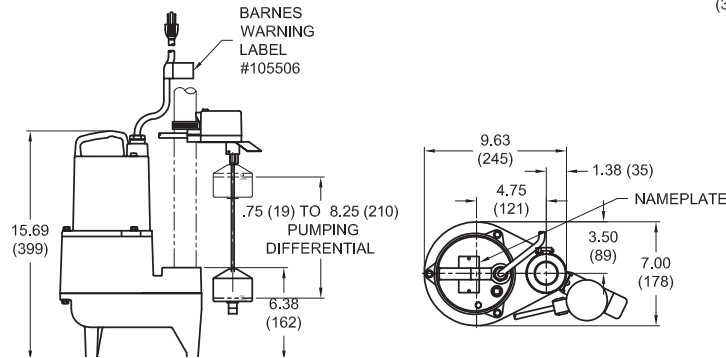
USA: (937) 778-8947 • Canada: (905) 457-6223 • International: (937) 615-3598

inches
(mm)

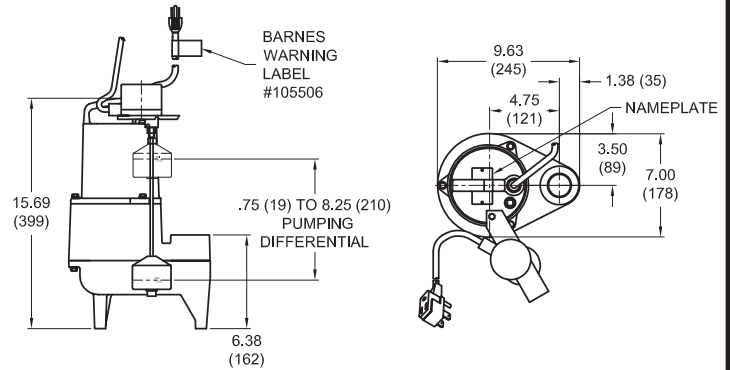
SEV412A
SEV412 (Less Float)
SEV412AT (Attached to Motor Housing)



SEV412VF



SEV412VFT



MODEL NO	PART NO	HP	VOLT/PH	Hz	RPM (Nom)	NEMA START CODE	FULL LOAD AMPS	LOCKED ROTOR AMPS	CORD LENGTH	CORD SIZE	CORD TYPE
SEV412	101292	0.5	115/1	60	3450	H	10.50	18.6	20 ft. (6m)	14/3	SJTOW
SEV412A	101293	0.5	115/1	60	3450	H	10.50	18.6	20 ft. (6m)	14/3	SJTOW
SEV412VF	101294	0.5	115/1	60	3450	H	10.50	18.6	20 ft. (6m)	14/3	SJTOW
SEV412AT	103544	0.5	115/1	60	3450	H	10.50	18.6	20 ft. (6m)	14/3	SJTOW
SEV412VFT	110404	0.5	115/1	60	3450	H	10.50	18.6	20 ft. (6m)	14/3	SJTOW

IMPORTANT !

- 1.) PUMP MAY BE OPERATED "DRY" FOR EXTENDED PERIODS WITHOUT DAMAGE TO MOTOR AND/OR SEALS.
- 2.) INSTALLATIONS SUCH AS DECORATIVE FOUNTAINS OR WATER FEATURES PROVIDED FOR VISUAL ENJOYMENT MUST BE INSTALLED IN ACCORDANCE WITH THE NATIONAL ELECTRIC CODE ANSI/NFPA 70 AND/OR THE AUTHORITY HAVING JURISDICTION. THIS PUMP IS NOT INTENDED FOR USE IN SWIMMING POOLS, RECREATIONAL WATER PARKS, OR INSTALLATIONS IN WHICH HUMAN CONTACT WITH PUMPED MEDIA IS A COMMON OCCURRENCE.

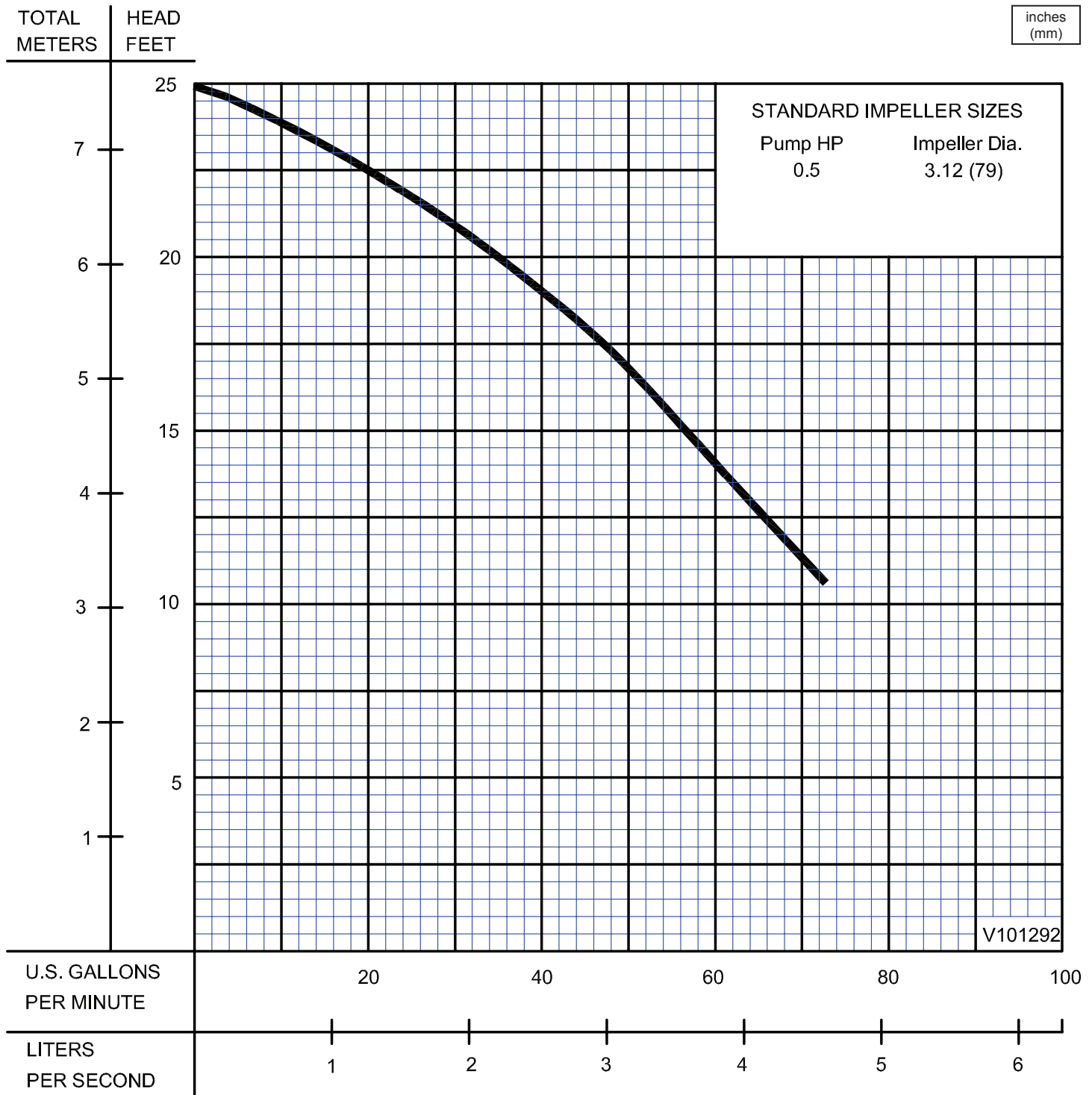
Series SEV412

Performance Curve
.5HP, 3450RPM, 60Hz

BARNES®

www.cranepumps.com

1½", 2" & 3" Discharge



Testing is performed with water, specific gravity 1.0 @ 68° F @ (20°C), other fluids may vary performance

SECTION 1B
PAGE 12
DATE 3/13

CRANE®

A Crane Co. Company

PUMPS & SYSTEMS

USA: (937) 778-8947 • Canada: (905) 457-6223 • International: (937) 615-3598