

1½", 2" & 3" Discharge

SE411-SP:

- One - **SE411, .4HP, 115 Volt, 60Hz**
Heavy duty sewage pump. Rugged cast iron body and impeller
- One - **Level Control P/N: 101758**
Mechanical switch molded inside of a waterproof float. Single control turns pump on and off automatically.
- One - **1830 Polyethylene Basin P/N: 076119**
18" (457mm) Dia. x 30" (762mm) Deep, with 4" (102mm) Inlet Hole.
- One - **4" (102mm) Flexible Pipe Fitting Inlet P/N: 076149**
Super-tuff Sanoprene construction
- One - **18S22 Steel Cover P/N: 076120**
With black powder coating, 2" (51mm) vent and 2" (51mm) Discharge and cord openings
- One - **2" (51mm) Vertical Check Valve P/N: 066828**
With hose adaptors and clamps

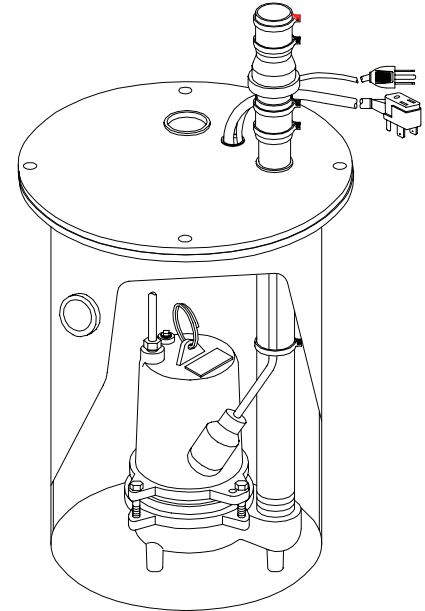
SEV412-SP:

- One - **SEV412, .4HP, 115 Volt, 60Hz**
Heavy duty sewage pump. Rugged cast iron body and impeller
- One - **Level Control P/N: 101758**
Mechanical switch molded inside of a waterproof float. Single control turns pump on and off automatically.
- One - **1830 Polyethylene Basin P/N: 110699**
18" (457mm) Dia. x 30" (762mm) Deep, with 4" (102mm) Inlet Hole. Polyethylene Structural Foam, 30 US Gallon (114 Liters) Capacity
- One - **4" (102mm) Flexible Pipe Fitting Inlet P/N: 076149**
Super-tuff Sanoprene construction
- One - **10PS Cover P/N: 102227**
Polyethylene, with 2" (51mm) vent and 2" (51mm) discharge, Gasket, Cord Grommet, Two Pipe Grommets and Hardware
- One - **2" (51mm) Vertical Check Valve P/N: 066828**
With hose adaptors and clamps
- One - **Discharge Pipe P/N: 104601**
PVC, Sch 40, 32" (813 mm) Long

SE51-SP:

- One - **SE51, .5HP, 115 Volt, 60Hz**
Heavy duty sewage pump. Rugged cast iron body and impeller
- One - **Vertical Level Control P/N: 093474**
Vertical float, PVC, Snap action, 15 ft. (5m) cord w/Piggy-Back plug. OFF point only is adjustable.
- One - **1830 Polyethylene Basin P/N: 076119**
18" (457mm) Dia. x 30" (762mm) Deep, with 4" (102mm) Inlet Hole.
- One - **4" (102mm) Flexible Pipe Fitting Inlet P/N: 076149**
Super-tuff Sanoprene construction
- One - **18S22 Steel Cover P/N: 076120**
With black powder coating, 2" (51mm) vent and 2" (51mm) Discharge and cord openings
- One - **2" (51mm) Vertical Check Valve P/N: 066828**
With hose adaptors and clamps

NOTE: DISCHARGE PIPE NOT SUPPLIED WITH SE411SP & SE51SP.
Other accessories may be ordered separately.



**Series: SE411-SP, 60Hz
SE51-SP, 60Hz
SEV412-SP, 60Hz**

DESCRIPTION:

SIMPLEX SYSTEMS (ONE PUMP) ARE GOOD FOR RESIDENCES AND SMALL INDUSTRIAL SEWAGE OR SUMP APPLICATIONS. THEY ARE DESIGNED TO HANDLE WASTES FROM LAVATORIES, LAUNDRY TUBS, FLOOR DRAINS, WATER CLOSETS, ETC., AND WILL PUSH THE WATER FROM BELOW GROUND UP TO WHERE NORMAL DRAINAGE WILL HANDLE IT.



WARNING:
CANCER AND REPRODUCTIVE HARM -
WWW.P65WARNINGS.CA.GOV

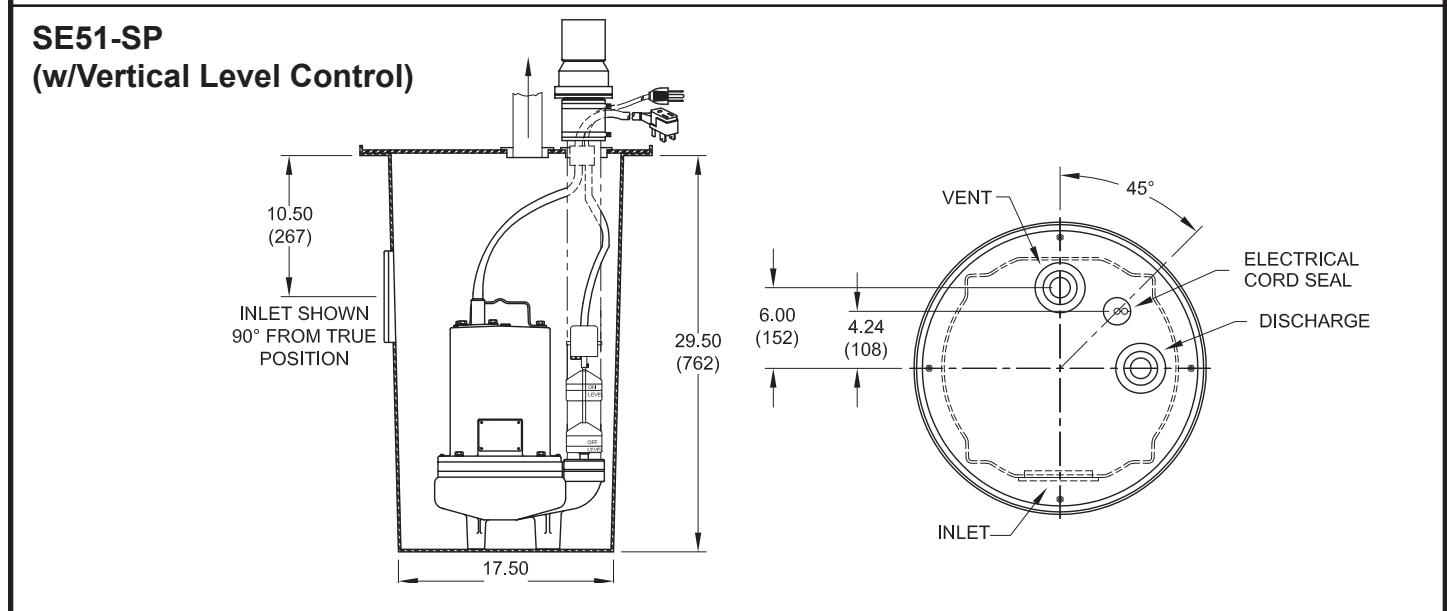
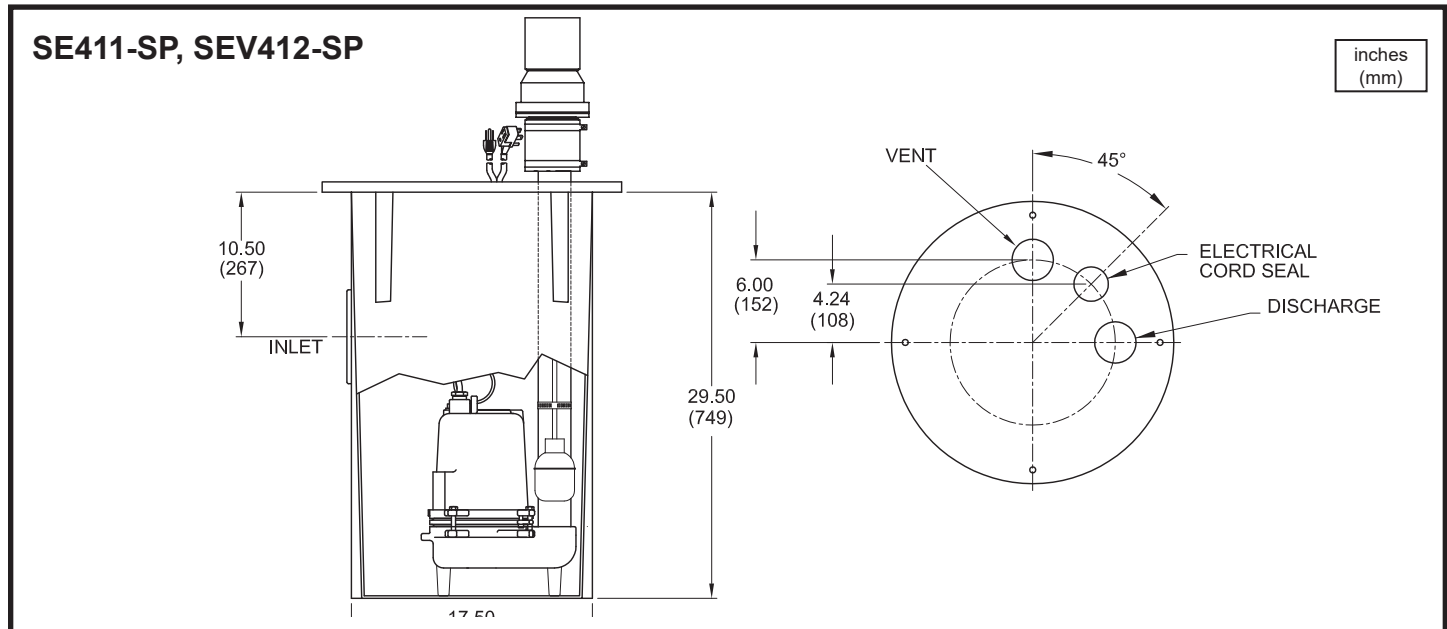
Series SE-SP

Simplex Sewage Package Systems
Un-Assembled

BARNES®

www.cranepumps.com

1½", 2" & 3" Discharge



MODEL NO	PART NO	DISCHARGE SIZE inch (mm)	VENT SIZE inch (mm)	INLET SIZE inch (mm)
SE411-SP	084283B	2" (51)	2" (51)	4" (102)
SE51-SP	105086	2" (51)	2" (51)	4" (102)
SEV412-SP	105367	2" (51)	2" (51)	4" (102)

IMPORTANT !

- PUMP MAY BE OPERATED "DRY" FOR EXTENDED PERIODS WITHOUT DAMAGE TO MOTOR AND/OR SEALS.
- INSTALLATIONS SUCH AS DECORATIVE FOUNTAINS OR WATER FEATURES PROVIDED FOR VISUAL ENJOYMENT MUST BE INSTALLED IN ACCORDANCE WITH THE NATIONAL ELECTRIC CODE ANSI/NFPA 70 AND/OR THE AUTHORITY HAVING JURISDICTION. THIS PUMP IS NOT INTENDED FOR USE IN SWIMMING POOLS, RECREATIONAL WATER PARKS, OR INSTALLATIONS IN WHICH HUMAN CONTACT WITH PUMPED MEDIA IS A COMMON OCCURRENCE.

SECTION 1B
PAGE 20
DATE 3/14

CRANE

A Crane Co. Company

PUMPS & SYSTEMS

USA: (937) 778-8947 • Canada: (905) 457-6223 • International: (937) 615-3598