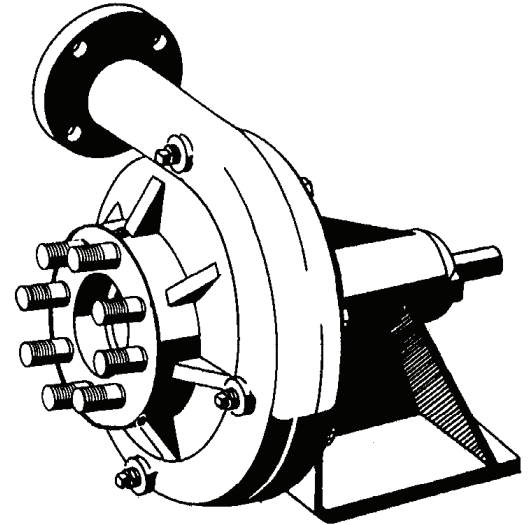


End Suction Centrifugal Pumps

Specifications:

SUCTION/DISCHARGE	4" (102mm) Suction, 3" (76mm) 125 lb Flange Discharge. Discharge can be placed in 8 different locations depending on piping requirements.
LIQUID TEMPERATURE	180°F (82°C) Continuous
BODY	Cast Iron ASTM, Class 30, with Air Vent, Vacuum Pressure and Drain Plugs
PEDESTAL	Cast Iron ASTM, Class 30
IMPELLER: Design	Enclosed Type, Dynamically Balanced, ISO G6.3
<i>Material</i>	Cast Iron ASTM, Class 30
WEAR RING	Bronze
SHAFT	Steel
SHAFT SLEEVE	Bronze
HARDWARE	Steel
PAINT	Air Dry Enamel
SEAL:	
<i>Design</i>	Single Mechanical
<i>Lubrication</i>	Self Lubrication
<i>Material</i>	Rotating Faces - Carbon Stationary Faces - Ni-Resist Elastomer - Buna-N Hardware -300 Series Stainless
BEARING-PUMP END:	
<i>Design</i>	Single Row, Ball
<i>Lubrication</i>	Grease, Factory
<i>Load</i>	Radial & Thrust
BEARING-DRIVE END:	
<i>Design</i>	Double Row, Ball,
<i>Lubrication</i>	Grease, Factory
<i>Load</i>	Radial & Thrust
OPTIONAL EQUIPMENT	Discharge Check Valve, Hand Primer, Base & OSHA Coupling Guard, Flex Coupling, Strainer, Bronze Impeller, Companion Flange, Flange Gasket



Model: 4030HCU

DESCRIPTION:

THESE PUMPS ARE SUITABLE FOR GENERAL INDUSTRIAL USE SUCH AS LIQUID TRANSFER OR AS BOOSTER PUMPS.



WARNING:

CANCER AND REPRODUCTIVE HARM -
WWW.P65WARNINGS.CA.GOV

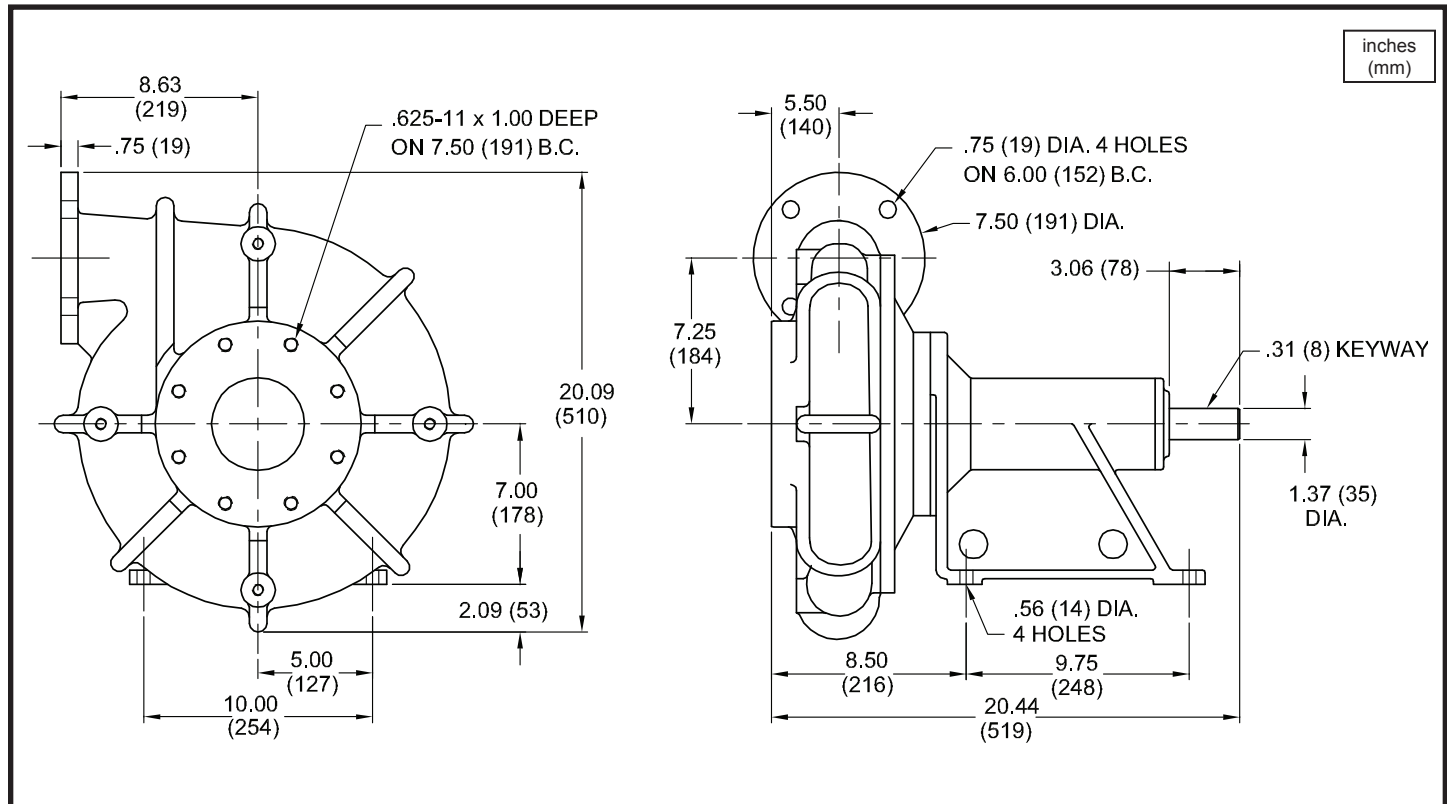
Model 4030HCU

Universal Drive

BARNES®

www.cranepumps.com

End Suction Centrifugal Pumps



inches
(mm)

MODEL NO	PART NO	WEIGHT LBS. (kg)	PEI _{CL}	
4030HCUF0C2	059459	254 (115.2)	0.98	
4030HCUF0C4	059459	254 (115.2)	0.97	

IMPORTANT !

- DO NOT USE FOR PUMPING FLUIDS WITH A FLASH POINT OF LESS THAN 100°F.
- MAKE CERTAIN THAT PUMP AND/OR MOTOR ASSEMBLY AND CONTROLS HAVE THE APPROPRIATE RATINGS FOR THE GIVEN APPLICATION AREA CLASSIFICATION. (ie DIVISION I, AGENCY LISTING ETC.)

SECTION 5B
PAGE 6
DATE 4/19

CRANE®

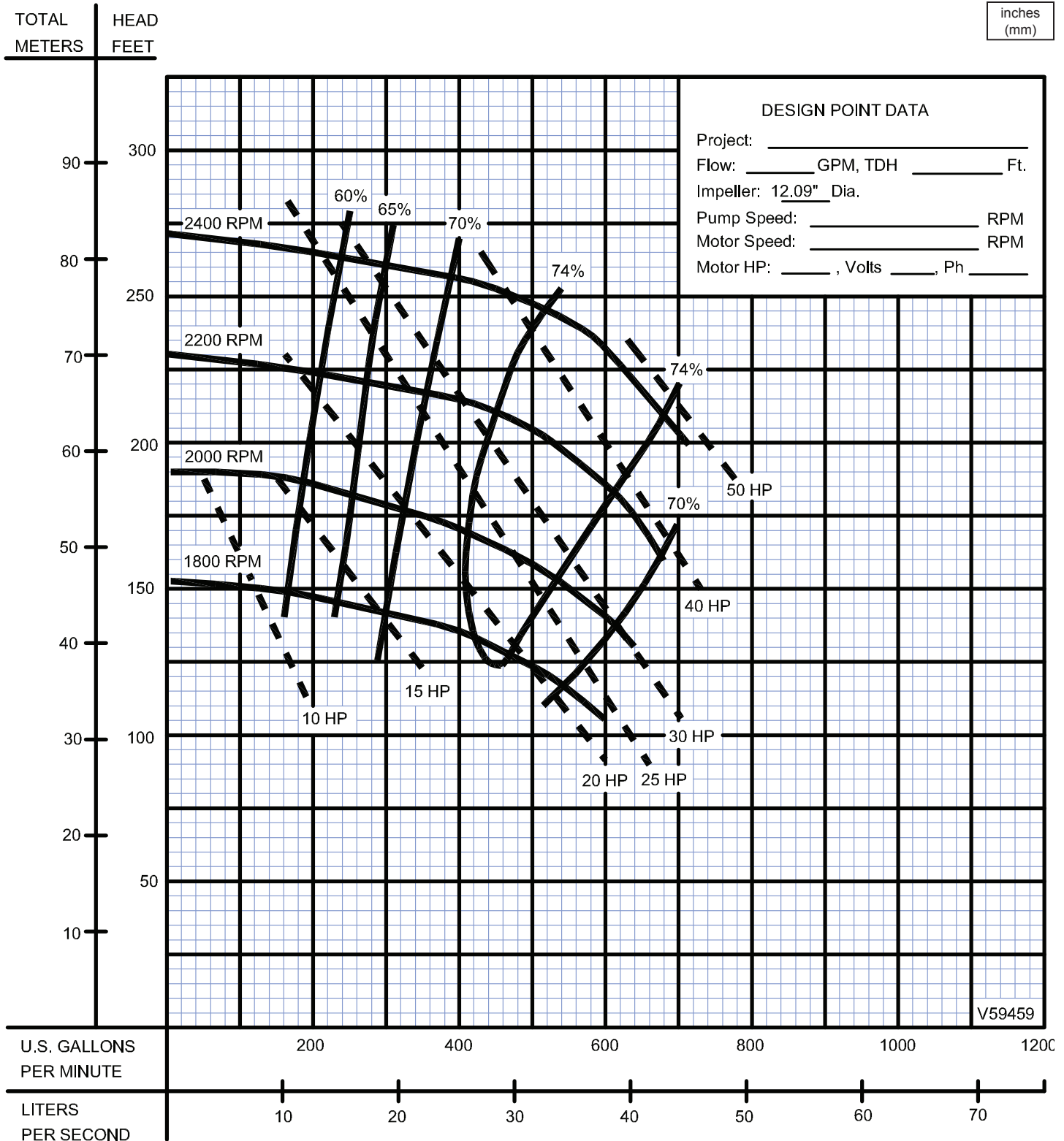
A Crane Co. Company

PUMPS & SYSTEMS

USA: (937) 778-8947 • Canada: (905) 457-6223 • International: (937) 615-3598

End Suction Centrifugal Pumps

inches
(mm)



Testing is performed with water, specific gravity 1.0 @ 68° F @ (20°C), other fluids may vary performance



A Crane Co. Company

PUMPS & SYSTEMS

USA: (937) 778-8947 • Canada: (905) 457-6223 • International: (937) 615-3598

SECTION 5B
PAGE 7
DATE 4/05

V59459

Model 4030HCU

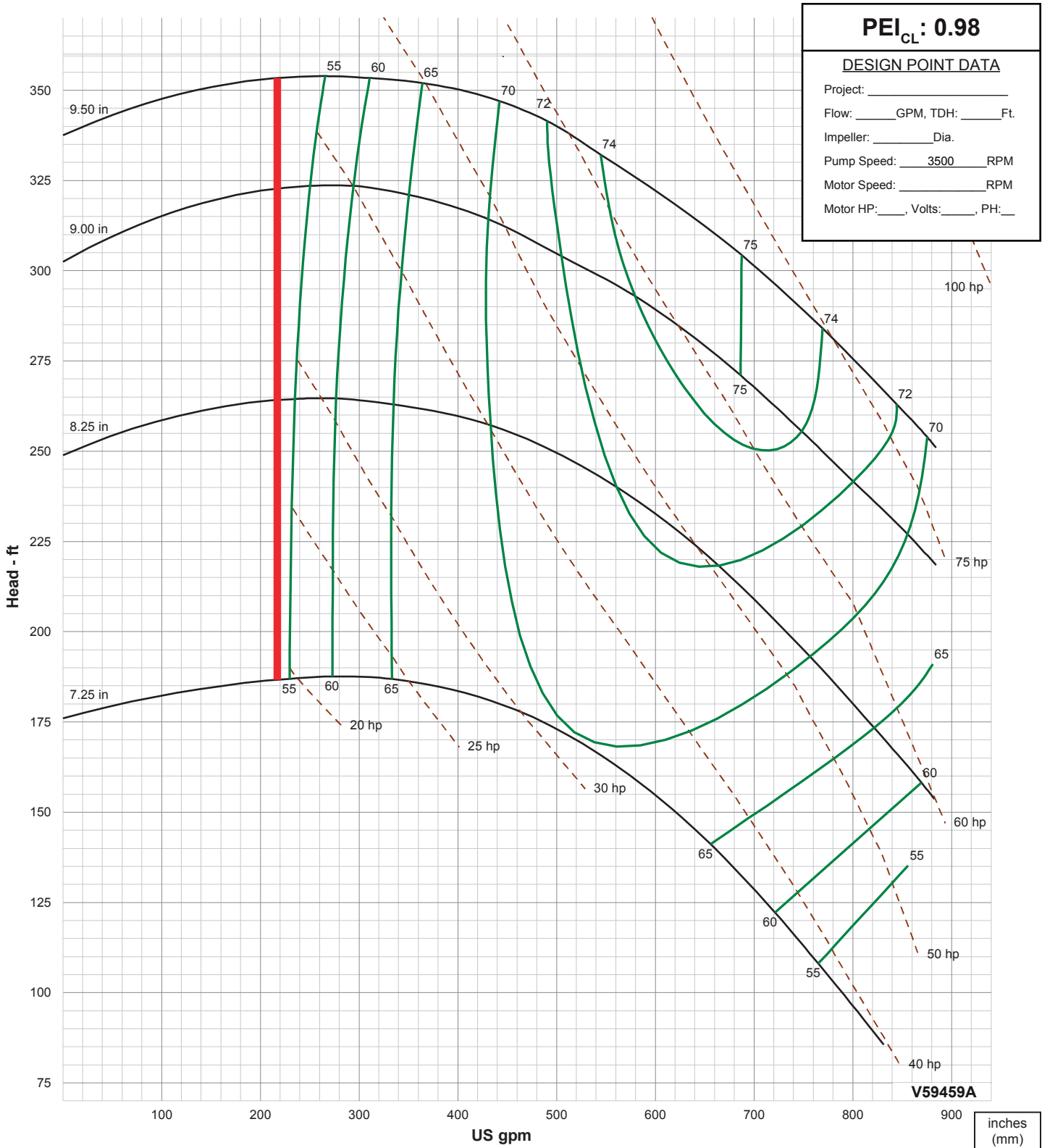
Performance Curve

Universal Drive, Various Impeller Diameters, 3500 RPM

BARNES®

www.cranepumps.com

End Suction Centrifugal Pumps



Testing is performed with water, specific gravity 1.0 @ 68° F @ (20°C), other fluids may vary performance

SECTION 5B
PAGE 8
DATE 7/18

CRANE
A Crane Co. Company

PUMPS & SYSTEMS

A Crane Co. Company

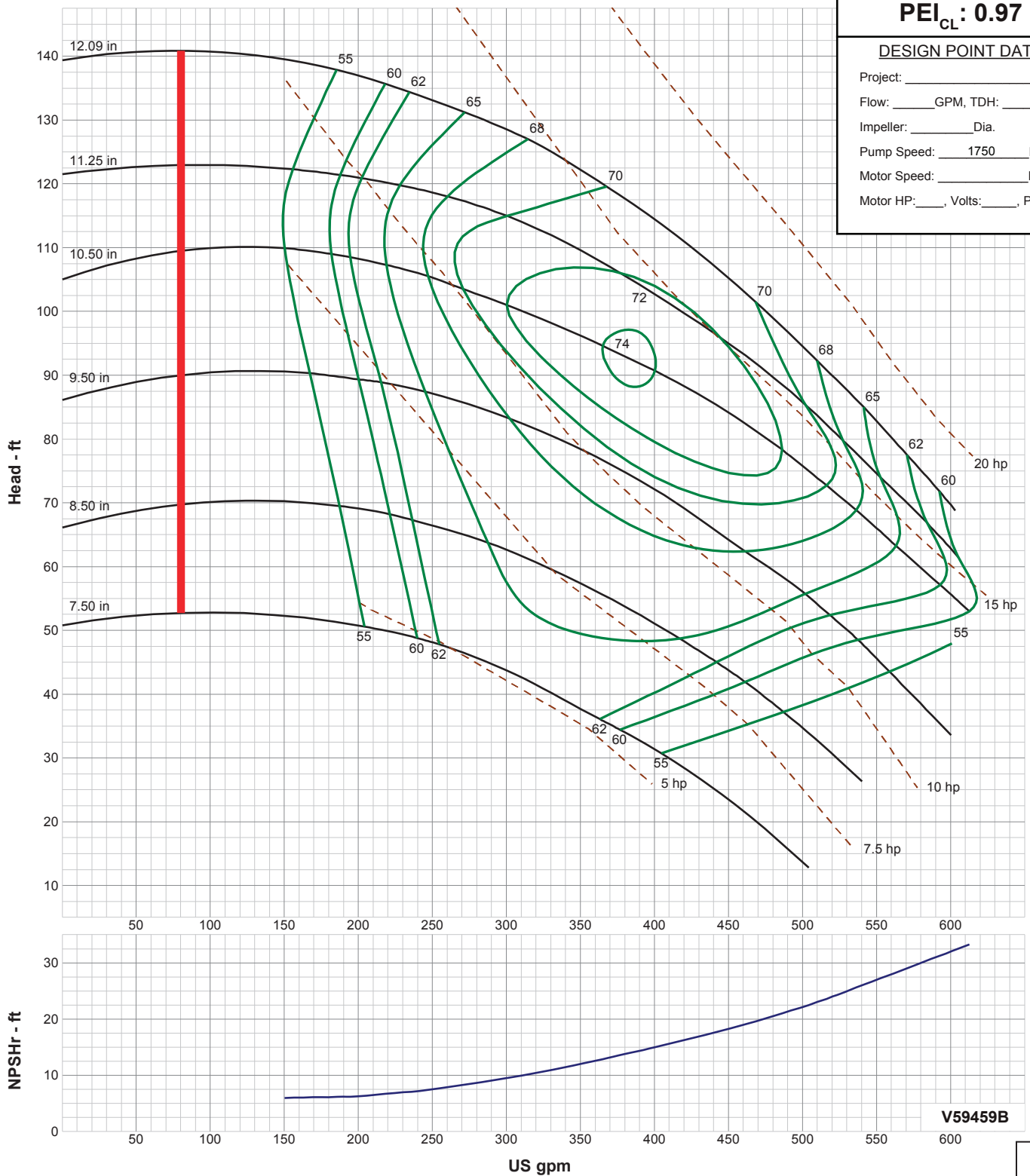
USA: (937) 778-8947 • Canada: (905) 457-6223 • International: (937) 615-3598

End Suction Centrifugal Pumps

PEI_{CL} : 0.97

DESIGN POINT DATA

Project: _____
 Flow: _____ GPM, TDH: _____ Ft.
 Impeller: _____ Dia.
 Pump Speed: _____ 1750 _____ RPM
 Motor Speed: _____ RPM
 Motor HP: _____, Volts: _____, PH: _____



V59459B

inches
(mm)

Testing is performed with water, specific gravity 1.0 @ 68° F @ (20°C), other fluids may vary performance



A Crane Co. Company

PUMPS & SYSTEMS

USA: (937) 778-8947 • Canada: (905) 457-6223 • International: (937) 615-3598

SECTION 5B
 PAGE 9
 DATE 7/18