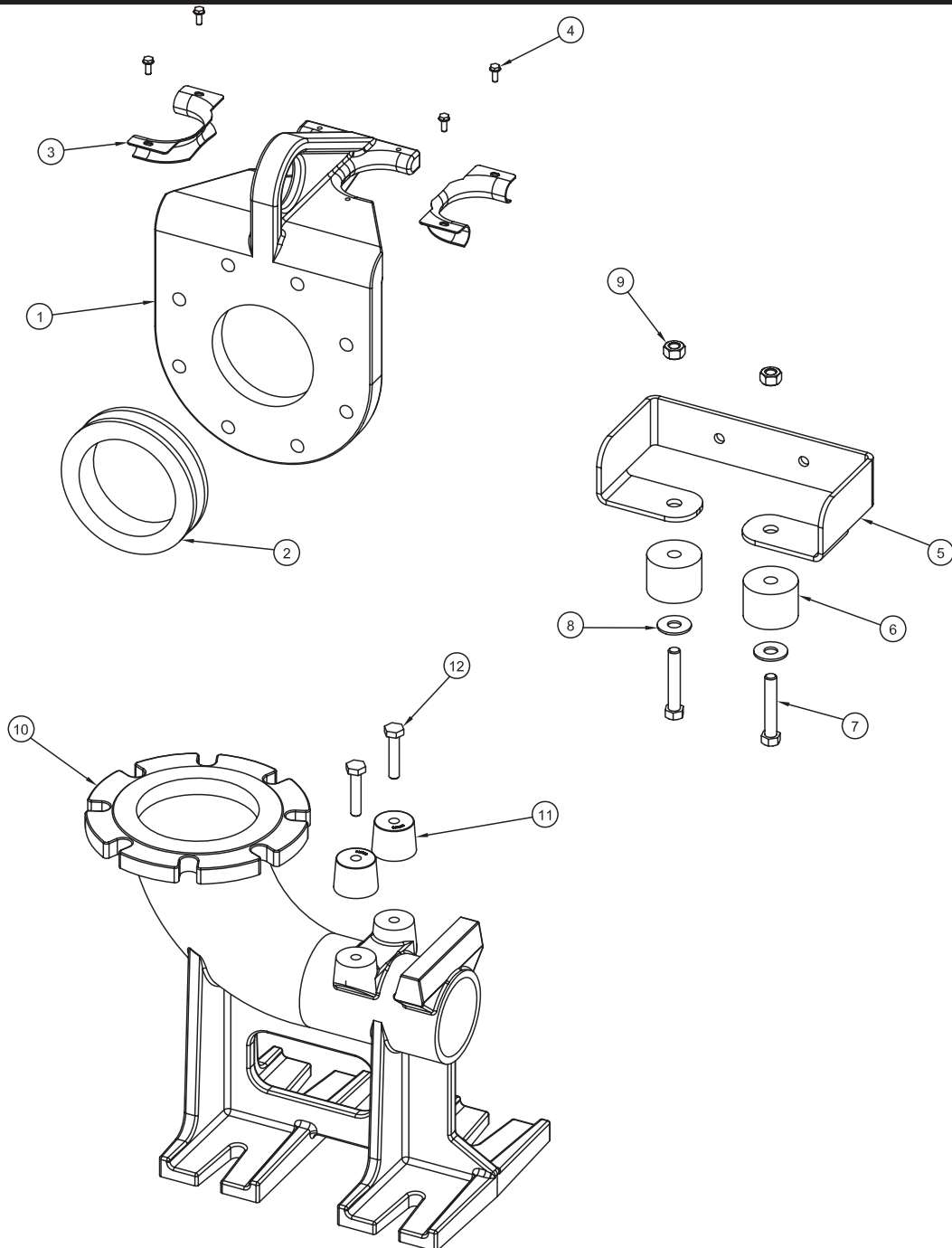


BARNES • PROSSER • CROWN SERVICE PARTS

MODEL	PART NO.		
BAF-4x4	128281		
BAF-4x6	128280		

Manual: 131332



Continued →

Series: 4" Break Away Fitting

Models BAF 4x4 and BAF 4x6

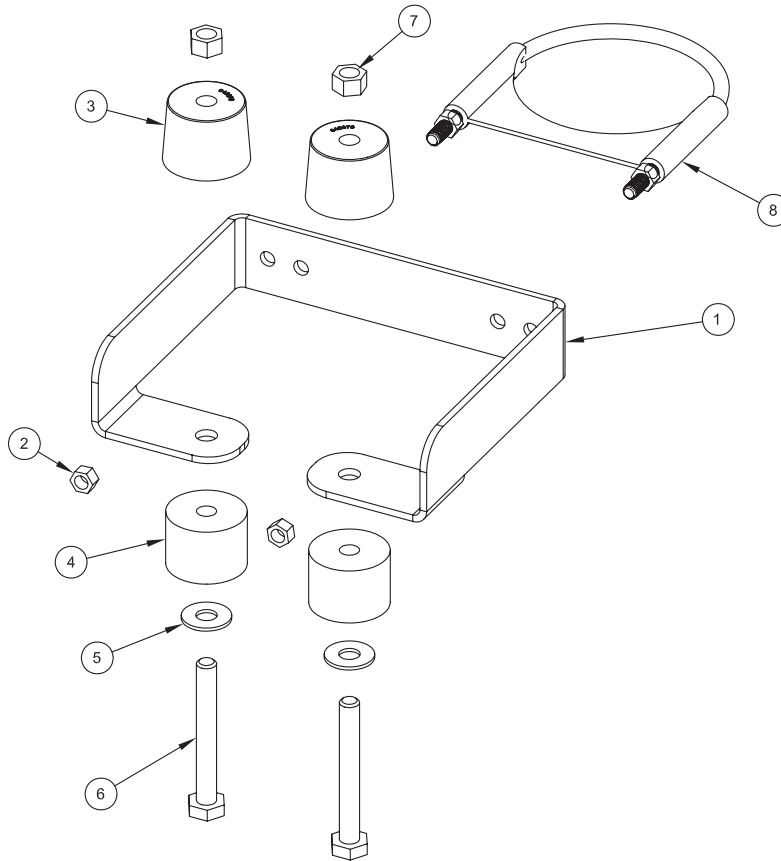
BARNES®

www.cranepumps.com

BARNES • PROSSER • CROWN SERVICE PARTS

MODEL	PART NO.		
4x4 Intermediate	131307		
4x6 Intermediate	131308		

Manual: 131332



Continued →

SECTION B
PAGE 22
DATE 10/16

CRANE®

A Crane Co. Company

PUMPS & SYSTEMS

USA: (937) 778-8947 • Canada: (905) 457-6223 • International: (937) 615-3598

BARNES • PROSSER • CROWN SERVICE PARTS

PARTS LIST BAF 4x4, BAF 4x6

ITEM	QTY.	PART NO.	DESCRIPTION	MATERIAL
1	1	127323	Slide, Moveable, 4"	(Class 30 CI)
2	1	127319	Gasket, BAF, 4"	(Rubber)
3	2	131181	Anti-Spark Sleeve	(Plastic)
4	4	0006628	Screw, Drive, #10	(300 SS)
5	1	131231	Bracket, BAF Guide Rail	(300 SS)
6	2	131191	Grommet, BAF, 2" Rail	(Rubber)
7	2	1-142-1	Screw, HXHD, .437-14, 2.50	(18-8 SS)
8	2	20-27-1	Washer, Flat, .437	(18-8 SS)
9	2	027116	Nut, Hex, .437-14, SS, Dbl Cham	(SS)
10	1	127321	Elbow, Base, 4x6	(Class 30 CI)
	1	127322	Elbow, Base, 4x4	(Class 30 CI)
11	2	128284	Rail, Post	(Class 30 CI)
12	2	1-74-1	Screw, HXHD, .500-13, 2.50	(18-8 SS)

OPTIONAL EQUIPMENT - PARTS LIST INTERMEDIATE SUPPORT: For 4" and 6" Disch. Pipe

ITEM	QTY	PART No.	DESCRIPTION	MATERIAL
1	1	131304	Bracket, BAF, Intermediate	(Stainless Steel)
2	2	15-23-1	Nut, Hex, 3/8-16	(18-8 SS) 4 x 4
	4	15-23-1	Nut, Hex, 3/8-16	(18-8 SS) 4 x 6
3	2	128284	Rail, Post	
4	2	131191	Grommet, BAF, 2" Rail	
5	2	20-27-1	Washer, Flat, 7/16"	(Stainless Steel)
6	2	1-323-1	Screw, HXHD, 7/16-14, 4.00"	(Stainless Steel)
7	2	027116	Nut, Hex, 7/16-14	(18-8 SS)
8	1	131182	Bolt, U, 3/8-16x5x6.81	(Stainless Steel) 4 x 4
	1	131183	Bolt, U, 3/8-16x7x8	(Stainless Steel) 4 x 6

END