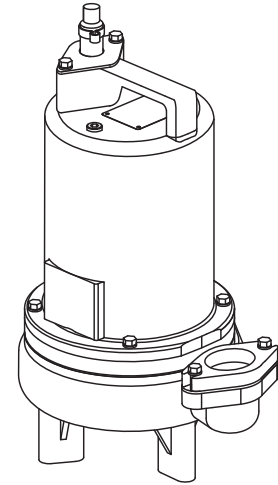


### Submersible Non-Clog Pumps

DISCHARGE .....	2" NPT, Female, Vertical, Bolt-on Flange
LIQUID TEMPERATURE .....	104°F (40°C) Continuous
VOLUTE .....	Cast Iron ASTM A-48, Class 30
MOTOR HOUSING .....	Cast Iron ASTM A-48, Class 30
SEAL PLATE .....	Cast Iron ASTM A-48, Class 30
IMPELLER: <i>Design</i> .....	2 Vane, open, with pump out vanes on back side. Dynamically balanced, ISO G6.3
<i>Material</i> .....	Cast Iron ASTM A-48, Class 30
SHAFT .....	416 Stainless Steel
SQUARE RINGS .....	Buna-N
HARDWARE .....	300 Series Stainless Steel
PAINT .....	Air Dry Enamel
SEAL: <i>Design</i> .....	Single Mechanical
<i>Material</i> .....	Carbon/Ceramic/Buna-N
CORD ENTRY .....	Hardware -300 Series Stainless
	15 ft. (5m), 20 ft. (6.1m) Cord with plug on 120 volt & 5HP, 240 volt, 1 phase. Quick connect custom molded for sealing and strain relief
UPPER BEARING .....	Single Row, Ball, Oil lubricated
LOWER BEARING .....	Single Row, Ball, Oil lubricated
MOTOR: <i>Design</i> .....	NEMA L -Single Phase, NEMA B -Three phase
<i>Insulation</i> .....	Torque Curve, Oil Filled, Squirrel Cage Induction Class B
	Class F on selected models
SINGLE PHASE .....	Permanent Split Capacitor (PSC)
	Includes Overload Protection in Motor
THREE PHASE .....	200-240/480 is Tri-Voltage. Requires overload Protection to be included in control panel
LEVEL CONTROL .....	"A" - Wide Angle, PVC, Mechanical, 15 ft (5m) cord with Piggy-Back Plug, N/O
	"AU" - Wide Angle, Polypropylene, Mechanical, N/O Integral to pump. ON and OFF Points are adjustable
OPTIONAL EQUIPMENT .....	Seal Material, Impeller Trims, Additional cord, Normally Closed Temperature Sensors with cord for 3 phase pumps (Requires relay in control panel).
ACCESSORIES .....	Break Away Fitting (BAF) Check Valve Control Panel



### Series: SE (SE51 & SE52) .5 - 1.0 HP, 1750RPM, 60Hz

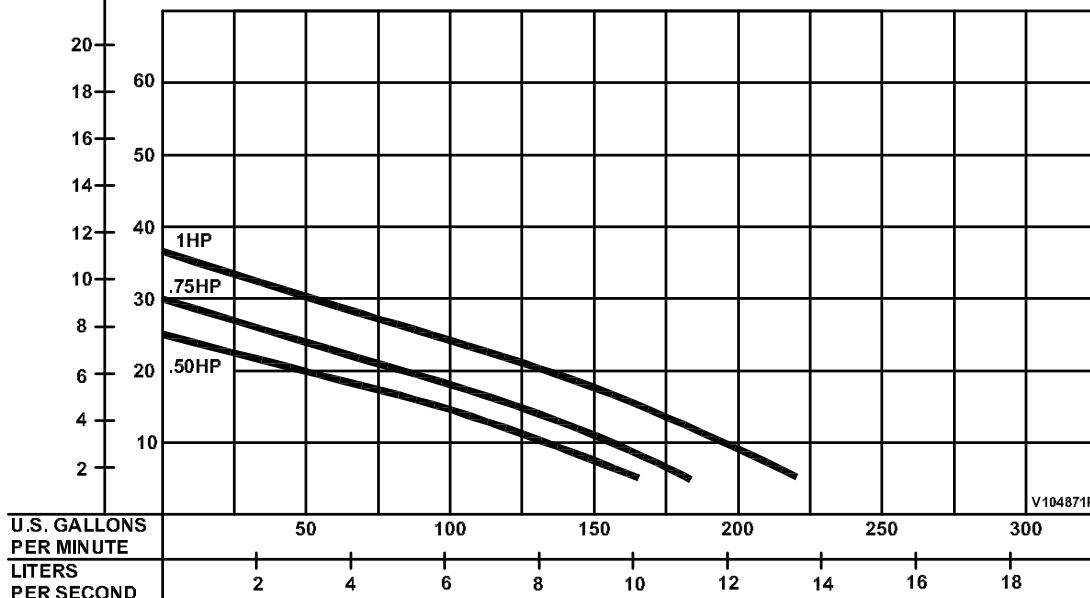
**DESCRIPTION:**  
SUBMERSIBLE NON-CLOG SEWAGE PUMP DESIGNED FOR TYPICAL RAW SEWAGE APPLICATIONS



**WARNING:**  
CANCER AND REPRODUCTIVE HARM -  
WWW.P65WARNINGS.CA.GOV



TOTAL HEAD  
METERS FEET

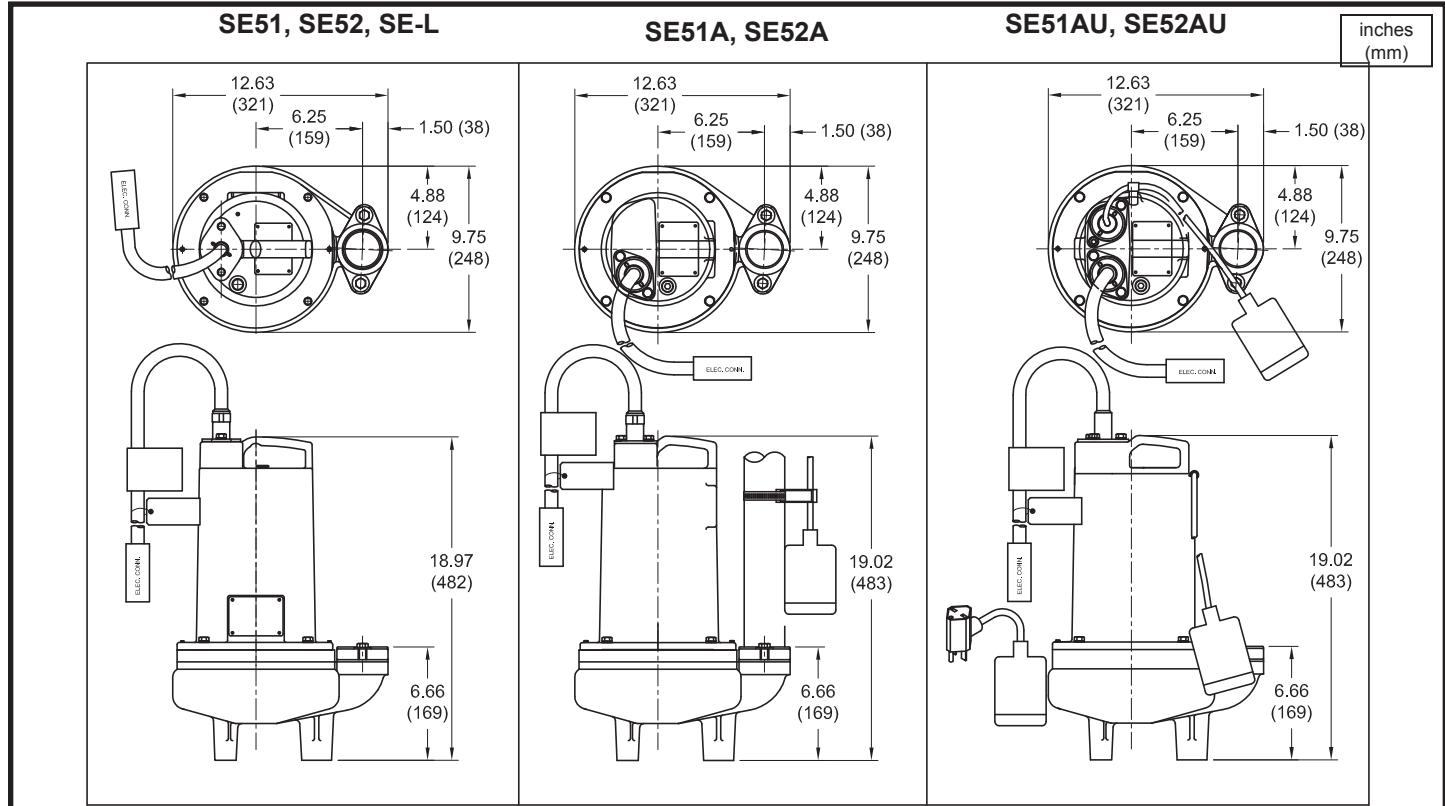


Testing is performed with water specific gravity of 1.0 @ 68°F (20°C), other fluids may vary performance

# Series SE-L

2" Spherical Solids Handling  
Manual & Automatic

## Submersible Non-Clog Pumps



MODEL NO	PART NO	HP	VOLT/PH	Hz	RPM (Nom)	NEMA START CODE	INSUL. CLASS	FULL LOAD AMPS	LOCKED ROTOR AMPS	CORD SIZE	CORD TYPE	CORD O.D. inch (mm)
SE51	104871	0.5	120/1	60	1750	F	B	11.6	21.3	14/3	SJTOW	0.375 (9.5)
SE51A	104872	0.5	120/1	60	1750	F	B	11.6	21.3	14/3	SJTOW	0.375 (9.5)
SE51AU	104873	0.5	120/1	60	1750	F	B	11.6	21.3	14/3	SJTOW	0.375 (9.5)
SE52	104874	0.5	240/1	60	1750	J	B	5.9	14.9	14/3	SOW	0.530 (13.5)
SE52AU	104875	0.5	240/1	60	1750	J	B	5.9	14.9	14/3	SOW	0.530 (13.5)
SE594L	104881	0.5	200-240/3	60	1750	H/L	B	3.2/3.0	9.8/11.0	14/4	SOW	0.570 (14.5)
SE544L	104882	0.5	480/3	60	1750	K	B	1.5	5.3	14/4	SOW	0.570 (14.5)
SE554L	104883	0.5	600/3	60	1750	H	B	1.0	3.4	14/4	SOW	0.570 (14.5)
SE774L	104884	0.75	200-240/1	60	1750	G/K	F	7.4/7.0	21.5/25.8	14/3	SOW	0.530 (13.5)
SE794L	104885	0.75	200-240/3	60	1750	H/K	B	4.8/4.5	13.7/15.4	14/4	SOW	0.570 (14.5)
SE744L	104886	0.75	480/3	60	1750	K	B	2.2	7.7	14/4	SOW	0.570 (14.5)
SE754L	104887	0.75	600/3	60	1750	L	B	1.5	7.2	14/4	SOW	0.570 (14.5)
SE1074L	104888	1.0	200-240/1	60	1750	D/G	F	8.8/8.3	21.5/25.8	14/3	SOW	0.530 (13.5)
SE1094L	104889	1.0	200-240/3	60	1750	E/H	B	5.1/4.9	13.7/15.4	14/4	SOW	0.570 (14.5)
SE1044L	104890	1.0	480/3	60	1750	H	B	2.4	7.7	14/4	SOW	0.570 (14.5)
SE1054L	104891	1.0	600/3	60	1750	J	B	1.9	7.2	14/4	SOW	0.570 (14.5)

Mechanical Switch on SE51A, cord 16/2, SJOW, 0.320 (8.1mm) O.D., Piggy-Back Plug

Mechanical Switch on SE-AU, cord 14/2, SJOW, 0.345 (8.8mm) O.D.

### IMPORTANT !

- 1.) PUMP MAY BE OPERATED "DRY" FOR EXTENDED PERIODS WITHOUT DAMAGE TO MOTOR AND/OR SEALS.
- 2.) INSTALLATIONS SUCH AS DECORATIVE FOUNTAINS OR WATER FEATURES PROVIDED FOR VISUAL ENJOYMENT MUST BE INSTALLED IN ACCORDANCE WITH THE NATIONAL ELECTRIC CODE ANSI/NFPA 70 AND/OR THE AUTHORITY HAVING JURISDICTION. THIS PUMP IS NOT INTENDED FOR USE IN SWIMMING POOLS, RECREATIONAL WATER PARKS, OR INSTALLATIONS IN WHICH HUMAN CONTACT WITH PUMPED MEDIA IS A COMMON OCCURRENCE.

SECTION D  
PAGE 8  
DATE 8/16

**CRANE**<sup>®</sup>

A Crane Co. Company

PUMPS & SYSTEMS

USA: (937) 778-8947 • Canada: (905) 457-6223 • International: (937) 615-3598