

7370

Demersible Sewage Pump Systems

Capacities to 900 GPM
Heads to 100 Feet

Quality Engineering and Construction features assure long, trouble-free service

Deming Guide Rail Demersible Pumps provide the most convenient and economical type of sewage lift station. In most applications, dual pumps are installed in the influent collection well. Surface controls are protected in a weather-tight panel. No building or protective covering is required.

Pumps can be quickly raised out of the station for inspection or maintenance and returned or replaced without entering the station or disturbing the piping. Two precision aligned parallel guide rails return the pump to original position, making contact with a self-sealing pressure flange. The weight of the pump resting on a Neoprene gasket maintains a perfect pressure-tight discharge connection. The motor is designed for submerged pressures up to 150 PSI. The windings are air cooled, operating in a continuous duty and have a double sealed oil chamber completely separating windings and pumpage. The built-in moisture detector and built-in thermal detector provide excellent protection for motor windings. UNDERWRITERS LABEL - Motors are designed for hazardous environments and carry Underwriters Laboratories Class 1, Group D label for use in water or sewage. Motors are rated for continuous duty at full load when submerged in 40°C (104°F) liquid. Service is readily available at any Reliance factory-authorized motor repair facility. Electrical components are standard and face-type seals are readily available.

- Guides cast integrally on each side of the casing are designed to slide freely on the guide rails. No separate brackets or offset guides are required.
- Lift chain is connected to motor lugs in such a way that all lifting forces are applied over the center of gravity and directly in the line with the guide rails to assure smooth travel. Eliminates binding.
- Standard 2" pipe guide rails are spaced wide apart and casing has centerline discharge to facilitate alignment with the discharge elbow.
- Pump casing has an integrally cast yoke that connects over the discharge fitting and makes connection automatically when the pump is lowered into place.
- Sealing of the discharge connection is accomplished by the weight of the pump with a positive, cantilever action.
- Quick-disconnect feature includes a molded Neoprene gasket retained into a confirming recess in the pump flange for a fluid-tight connection. Gasket is replaceable when pump unit is removed from pit.
- Motors are designed for hazardous environments and carry the Underwriters Laboratories Class 1, Group D label for use in water or sewage.
- Motor reliability is assured by complete pressure-proof design with tandem seals, built-in moisture detector, and thermal protection elements.



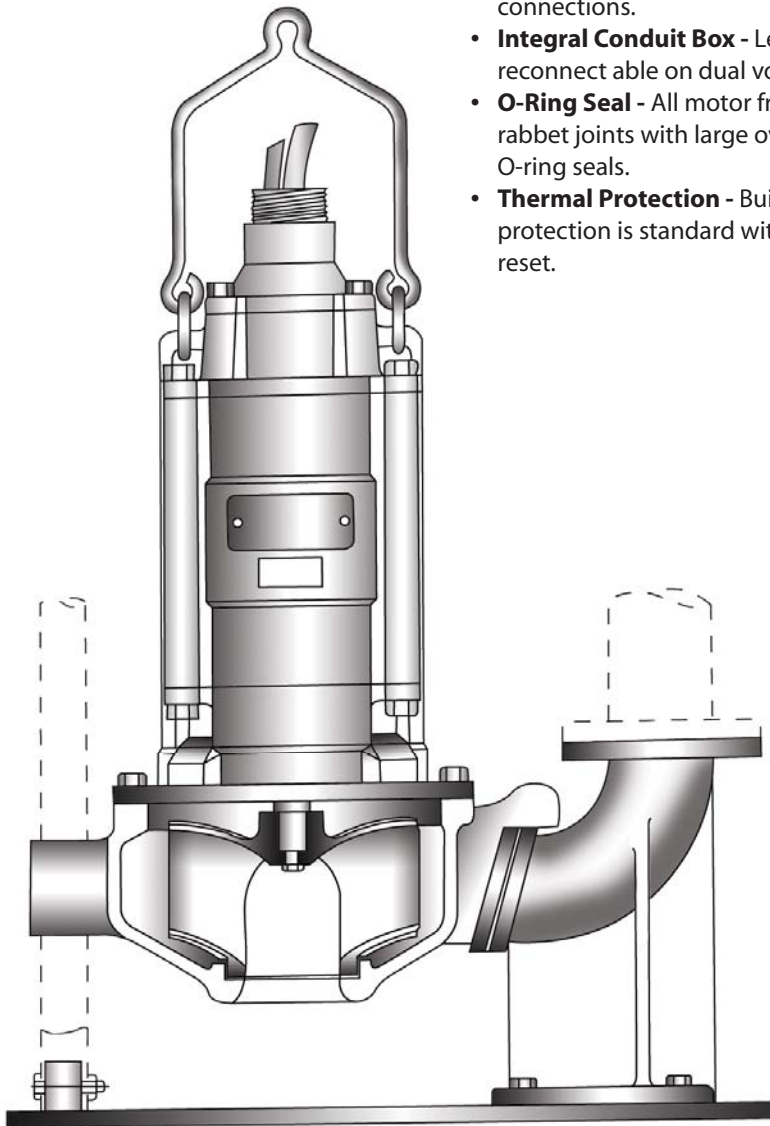
DEMING®

Design Features:

- **Power Cable** - Motor is supplied with 30 ft. multi-conductor cable with ground wire as standard. Moisture detector end thermal protection leads are in separate cable.

- **Conduit Connection** - Threaded extension is cast into top frame to permit installation of armored covering or flexible conduit if desired.
- **Sealed Motor Leads** - Buna-N grommets, epoxy sealed leads and butt spliced connectors effectively seal cable connections.
- **Integral Conduit Box** - Leads are reconnect able on dual voltage motors.
- **O-Ring Seal** - All motor frame fits have rabbet joints with large overlap and O-ring seals.
- **Thermal Protection** - Built-in thermal protection is standard with automatic reset.

- **Smooth Cast Iron Case** - Rigid, strong, resists corrosion. No ridges or pockets to collect sludge.
- **Long-Lasting Insulation** - Special Class B insulation system with Class F materials is designed for long winding life.
- **Large Deep Groove Ball Bearing** - Clamped, takes up and down thrust. Bearings are conservatively rated; pre lubricated at the factory.
- **Oil Chamber** - Sealed oil filled chamber between pump and motor provides lubrication for inner seal, giving motor complete environmental protection
- **Tandem Seals** - High quality mechanical seals provide double protection for motor internals against contact with pumpage.
- **Moisture Detection System** - Moisture sensing probes located in the oil seal chamber are connected above ground to warn off impending seal failure
- **Close-Coupled Motor** - Impeller mounts directly on stainless steel motor shaft. Eliminates alignment problems.
- **Impeller Attachment** - Stainless steel key, washer and self-locking impeller screw. Positive, corrosion resisting
- **Impeller** - Enclosed type solids handling design with smooth passageways. Accurately balanced, with repelling vanes on back shroud to prevent solids accumulation.
- **2" Standard Galvanized Guide Rails** - Resist corrosion, provide smooth tracking and pump travel.
- **Self-Sealing Discharge Flange** - with recessed Neoprene gasket.
- **Discharge Elbow** - Factory aligned to assure fluid-tight discharge connections.



CRANE[®]

A Crane Co. Company

PUMPS & SYSTEMS

Crane Pumps & Systems
420 Third Street
Piqua, Ohio 45356
(937) 778-8947
Fax (937) 773-7157
www.cranepumps.com

Crane Pumps & Systems Canada
83 West Drive
Brampton, Ont. Canada L6T 2J6
(905) 457-6223
Fax (905) 457-2650



© 2011 Crane Pumps & Systems, Inc.
A Crane Co. Company
Printed in U.S.A.
D7370BRO - Rev. A (1/11)

Member of
Hydraulic